

# Roof Exhausters

## MODEL AM – INDUSTRIAL ROOF EXHAUSTER – DIRECT DRIVE

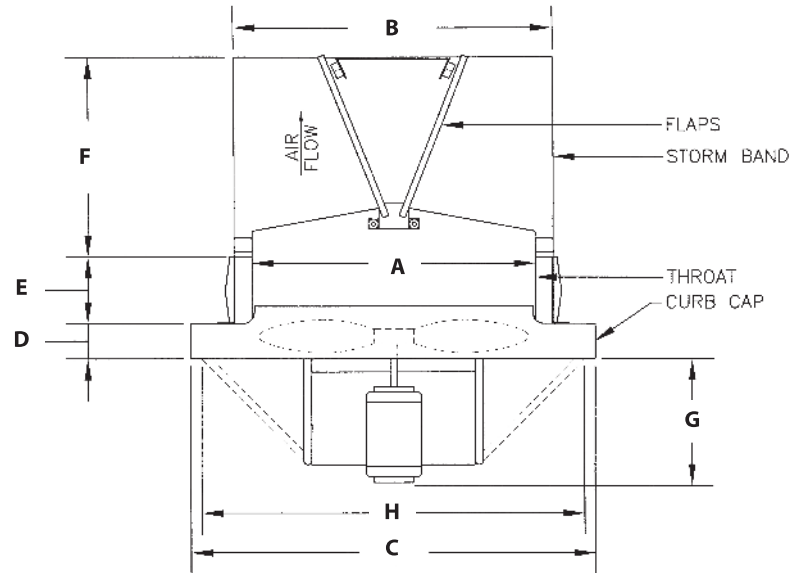


### APPLICATION

Designed for general ventilation and smoke and fume removal where lower cost and less maintenance are a priority.

### FEATURES AND BENEFITS

- Ruggedly constructed steel curb cap including spun venturi section for efficient air flow.
- Cast aluminum spark-resistant propellers are standard and suitable for use in hazardous locations when paired with explosion proof motor.
- Butterfly damper section, mill galvanized construction, with damper blades that open when fan is energized and close weathertight when unit is off. Dampers rotate in nylon bearings on a stainless steel axle.
- Available in 304 or 316 stainless steel construction.



### DIMENSIONS (subject to change without notice)

MODEL	A	B	C	D	E	F	G	H	HP
AM-18	19"	24"	33" sq.	2 1/2"	3"	16"	13"	28"	1/4-1
AM-24	25"	30"	39" sq.	2 1/2"	3"	19"	15"	34"	1/4-3
AM-30	31"	36"	45" sq.	2 1/2"	3"	22"	15"	40"	3/4-5
AM-36	37"	42"	51" sq.	2 1/2"	3"	25"	18"	46"	2-5
AM-42	43"	48"	57" sq.	2 1/2"	3"	27"	18"	52"	2-5
AM-48	49"	54"	63" sq.	2 1/2"	3"	30"	20"	58"	3-10
AM-60	61"	66"	75" sq.	2 1/2"	3"	42"	22"	70"	5-7 1/2

## MODEL AM – INDUSTRIAL ROOF EXHAUSTER – DIRECT DRIVE PERFORMANCE DATA

Blade Dia.	Model	Prop	HP	RPM	Free Air	CAPACITY C.F.M.			
						1/8" SP	1/4" SP	3/8" SP	1/2" SP
18"	AML-18-1/4	CA107	1/4	1140	2570	2263	1673	1136	854
	AM-18-1/3	CA232	1/3	1725	3375	3000	2600	2000	1400
	AM-18-1/2	CA161	1/2	1725	4150	3850	3150	2800	1700
	AM-18-1	CA107	1	1725	4600	4375	4080	3600	3000
24"	AM-24-1/4	CA130	1/4	1725	5200	4200	2820	1050	---
	AML-24-3/4	CA114	3/4	1140	6900	6450	6265	5600	3300
	AM-24-1	CA109	1	1725	7425	7000	6350	5850	5000
	AM-24-3	CA114	3	1725	10500	9800	9500	9100	8700
30"	AML-30-3/4	CA113	3/4	1140	10440	9750	8750	7640	6000
	AMLL-30-1	CA115	1	870	10640	10450	9800	9000	7900
	AML-30-1 1/2	CA127	1 1/2	1140	13350	12500	11450	10200	8000
	AML-30-2	CA115	2	1140	14000	13750	12900	11850	10450
	AM-30-3	CA113	3	1725	16000	15350	14700	13850	12900
	AM-30-5	CA127	5	1725	17750	17500	17150	16700	16200
36"	AMLL-36-2	CA163	2	870	17600	16500	15200	13620	11400
	AML-36-2	CA117	2	1140	17620	16500	15200	13620	12300
	AML-36-3	CA221	3	1140	20500	19500	18500	17100	15850
	AML-36-5	CA198	5	1140	21200	20500	19500	18484	17325
42"	AML-42-2	CA165	2	1140	17964	17277	15326	13990	12351
	AMLL-42-5	CA199	5	870	24500	23100	21900	20500	18600
	AML-42-5	CA119	5	1140	28970	27960	26840	25700	24200
48"	AML-48-3	CA137	3	1140	28600	26500	24400	22000	20000
	AMLL-48-5	CA138	5	870	33000	31500	29750	27650	25300
	AMLL-48-7 1/2	CA195	7 1/2	870	35654	33411	31857	30219	28021
	AML-48-7 1/2	CA139	7 1/2	1140	37000	35100	32800	30600	28000
	AMLL-48-10	CA140-E	10	870	46000	44000	41000	39000	36000
	AML-48-10	CA138	10	1140	41000	39200	38300	37000	35400
60"	AMLL60-5	CA169	5	870	45200	41500	37000	33000	26000
	AMLL60-7 1/2	CA228	7 1/2	870	47000	45500	43600	41000	38700

### OPTIONAL ACCESSORIES

- Weatherproof non-fused disconnect switches
- Insulated roof curbs for flat or pitched roofs