

Wall Exhaust Fans

MODEL 900 – INDUSTRIAL EXHAUST FAN – DIRECT DRIVE

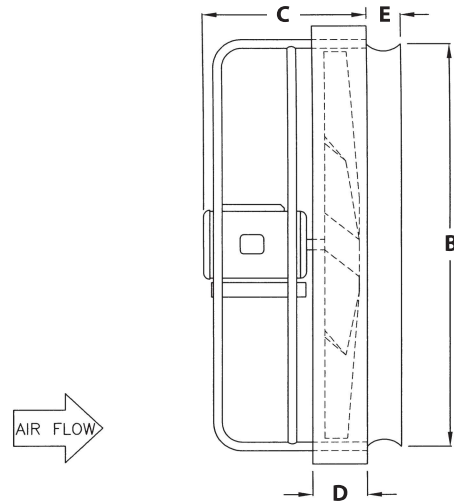
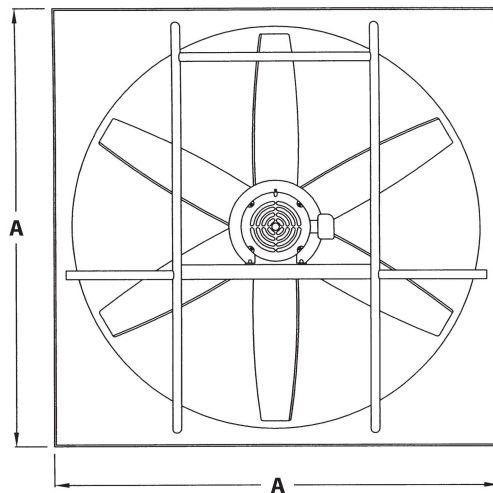


APPLICATION

Excellent for use in higher static pressure applications in factories, warehouses and mills for fume, smoke or dust removal. Provides dependable performance with little maintenance.

FEATURES AND BENEFITS

- Cast aluminum spark resistant propellers standard.
- Suitable for use in hazardous environments with the addition of an explosion proof motor.
- More CFM per dollar spent than belt driven fan.
- Low maintenance.
- Lighter weight than belt driven units – facilitates installation.
- Heavy duty spun venturi panel with rugged all welded motor support structure.
- Available for exhaust or intake air applications.



*Fan shown in exhaust configuration.

DIMENSIONS (subject to change without notice)

MODEL	A	B	C	D	E	HP
912	16"	13"	11"	1"	1 1/4"	1/4
916	20"	17 1/2"	11"	1"	2 1/4"	1/4
918	24"	19 1/2"	13"	1"	2 1/2"	1/3-1/2
920	24"	21 1/2"	13"	1"	2 3/4"	1/4-1
924	30"	25 1/2"	15"	2 3/4"	3 1/2"	1/4-3
930	36"	31 1/2"	15"	2 3/4"	3 1/2"	1/3-3
936	42"	37 1/2"	15"	2 3/4"	4"	1-5
942	48"	44"	18"	2 3/4"	4 1/4"	1-5
948	54"	50 1/2"	20"	2 3/4"	4 1/2"	3-5
954	60"	56 1/2"	22"	2 3/4"	4 3/4"	3-10
960	66"	62"	22"	2 3/4"	5"	5-10

MODEL 900 – INDUSTRIAL EXHAUST FAN – DIRECT DRIVE PERFORMANCE DATA

Blade Dia.	Model	Prop	HP	RPM	Free Air	CAPACITY C.F.M.							
						1/8" SP	1/4" SP	3/8" SP	1/2" SP	3/4" SP	1" SP	1-1/4" SP	1- 1/2" SP
12"	912-1/4	CA101	1/4	1725	1180	930	520	-	-	-	-	-	-
16"	916-1/4	CA159	1/4	1725	2800	2400	2000	1400	700	-	-	-	-
	L-916-1/4	CA160	1/4	1140	2100	1700	500	-	-	-	-	-	-
18"	918-1/3	CA232	1/3	1725	3375	3000	2600	2000	1400	-	-	-	-
	918-1/2	CA161	1/2	1725	4150	3850	3150	2800	1700	-	-	-	-
20"	L-920-1/4	CA184	1/4	1140	2800	2560	2380	1400	-	-	-	-	-
	920-1/4	CA149	1/4	1725	3720	3160	2510	1650	-	-	-	-	-
	920-1/2	CA148	1/2	1725	4800	4450	3950	3340	2500	-	-	-	-
24"	920-1	CA180	1	1725	6900	6600	6200	5900	5500	3700	850	-	-
	924-1/4	CA130	1/4	1725	5200	4200	2820	1050	-	-	-	-	-
	L-924-1/3	CA109	1/3	1140	4975	4690	4250	3920	2850	-	-	-	-
	924-1/2	CA108	1/2	1725	6510	5880	5200	4150	3100	1800	-	-	-
	L-924-1/2	CA236	1/2	1140	6840	6100	5170	1900	-	-	-	-	-
	924-3/4	CA173	3/4	1725	6900	6510	5900	5440	4650	2750	-	-	-
	L-924-3/4	CA114	3/4	1140	6900	6450	6265	5600	3300	-	-	-	-
	924-1	CA109	1	1725	7425	7000	6350	5850	5000	3300	1775	-	-
	924-2	CA162	2	1725	9525	9196	8810	8360	7980	6960	3000	-	-
	924-3	CA114	3	1725	10500	9800	9500	9100	8700	7800	5000	3600	-
30"	L-930-1/3	CA167	1/3	1140	6950	5550	3900	1500	-	-	-	-	-
	930-1/2	CA112	1/2	1725	8980	7650	6300	5400	4350	2300	-	-	-
	L-930-1/2	CA132	1/2	1140	7500	6150	4400	2200	-	-	-	-	-
	L-930-3/4	CA113	3/4	1140	10440	9750	8750	7640	6000	-	-	-	-
	LL-930-1	CA115	1	870	10640	10450	9800	9000	7900	-	-	-	-
	930-1 1/2	CA132	1 1/2	1725	12000	11250	10450	9600	8700	6700	-	-	-
	L-930-1 1/2	CA127	1 1/2	1140	13350	12500	11450	10200	8000	5000	-	-	-
	L-930-2	CA115	2	1140	14000	13750	12900	11850	10450	2500	-	-	-
930-3	CA113	3	1725	16000	15350	14700	13850	12900	10200	8000	6000	-	
36"	L-936-1	CA134	1	1140	13600	12000	11100	9000	7500	2800	-	-	-
	LL-936-2	CA163	2	870	17600	16500	15200	13620	11400	-	-	-	-
	L-936-2	CA117	2	1140	17620	16500	15200	13620	12300	8500	-	-	-
	L-936-3	CA221	3	1140	20500	19500	18500	17100	15850	11600	6500	-	-
	936-5	CA117	5	1725	23000	22150	21100	20200	19000	18100	16400	14500	6000
42"	L-942-2	CA165	2	1140	17964	17277	15326	13990	12351	7600	-	-	-
	L-942-3	CA239	3	1140	24500	23150	23000	22000	19650	14000	10000	-	-
	L-942-5	CA119	5	1140	28970	27960	26840	25700	24200	19500	13800	2000	-
	LL-942-1	CA165	1	870	15800	15200	13480	12310	5800	900	-	-	-
	LL-942-2	CA119	2	870	22040	21000	20500	18500	15000	6000	-	-	-
48"	L-948-3	CA137	3	1140	28600	26500	24400	22000	20000	15900	11000	-	-
	L-948-5	CA185	5	1140	32000	30493	28900	27173	25432	21054	14985	7100	-
	LL-948-3	CA139	3	870	28700	26500	24200	21600	18500	10000	-	-	-
	LL-948-5	CA138	5	870	33000	31500	29750	27650	25300	18000	-	-	-
60"	L-960-5	CA142	5	1140	45000	41000	37000	33500	28500	16000	2500	-	-
	LL-960-5	CA169	5	870	45200	41500	37000	33000	26000	14000	-	-	-
	LL-960-7 1/2	CA228	7 1/2	870	47000	45500	43600	41000	38700	33000	24000	-	-
	LL-960-10	CA143	10	870	57200	54400	51000	48500	45000	38000	29500	-	-

NOTE: Consult factory for Model 954 performance data.

OPTIONAL ACCESSORIES

- Fan & shutter mounting box
- Front & rear OSHA compliant guards
- All aluminum gravity exhaust shutter
- Motorized exhaust or intake shutter
- Weatherhood with birdscreen