

**Equipment Tag**

**Model Information**

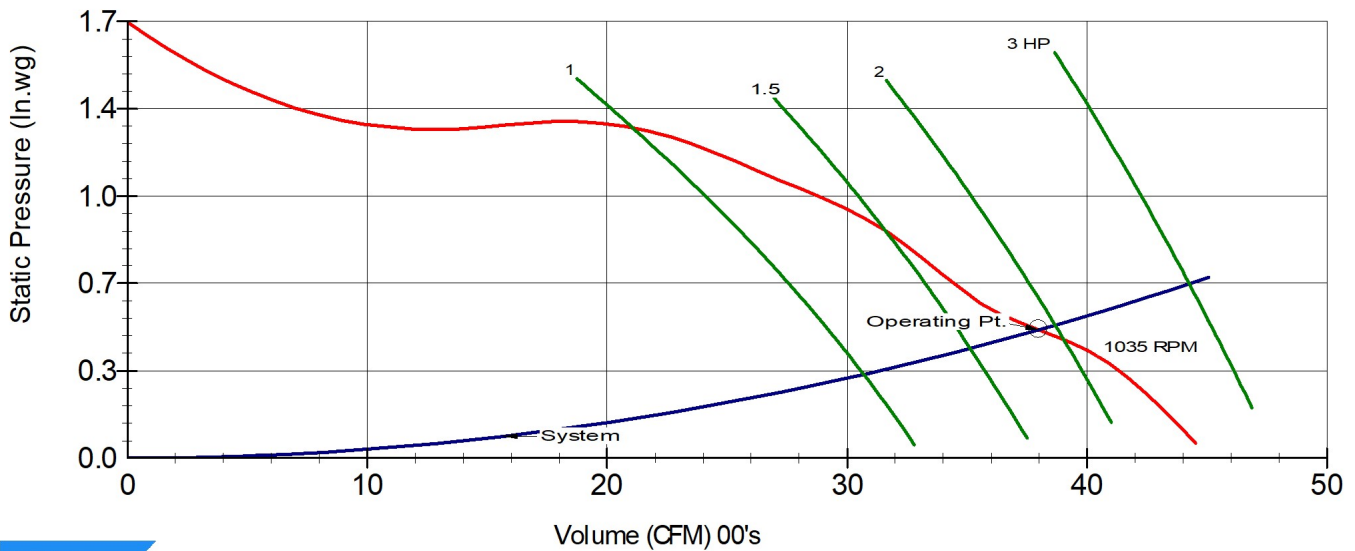
Model: SIG-12	Part Number: SIG-12	
CFM: 3800	Shaft Diameter: 0.75	Unit Weight: 0
SP: 0.5	Wheel Diameter: 12.875	Ship Weight: 0
RPM: 1035	Tip Speed: 3489 FPM	
BHP: 1.98	Static Efficiency: 15	Elevation: 0
	Outlet Velocity: 2606 FPM	Temperature: 70

**Sound Data**

	63	125	250	500	1000	2000	4000	8000	(Hz)	LwA: 85
Sound Power Level @ Frequency, re: 10 <sup>-12</sup> Watts	83	86	84	83	77	77	75	71	(dB)	SONES: 23.2
	Ducted inlet or ducted outlet dBA @5 ft. 74					Ducted inlet and ducted outlet dBA @5 ft. 54				

**Performance Curve**

DELHI Model SIG-12  
CFM=3800 SP=0.5 BHP=1.98 S. Eff=15% RPM=1035



Canarm certifies that the SIG Series Fresh Air Supply Units shown herein are licenced to bear the AMCA Seal. The ratings shown are based on tests and procedures performed in accordance with AMCA Publication 211 and Publication 311, and comply with the requirements of the AMCA Certified Ratings Programme.  
Performance certified is for installation type B: Free inlet, Ducted outlet. Power rating bhp does not include transmission losses. Performance ratings include the effects of filters, but do not include the effects of other appurtenances (accessories).  
The sound power level ratings shown are in decibels, referred to 10<sup>-12</sup> watts, calculated per AMCA 301. The A-weighted sound power ratings shown have been calculated per AMCA 301. Values shown are for inlet LwA sound power levels for Installation Type B: free inlet, ducted outlet. Ratings include the effects of duct end correction.  
v: 13.0.62

**Drive Information**

Motor Pulley MVL40 x 5/8" \ 8500061	Turns Open 4.5	Blower Pulley MBL57 \ 8500002	Bushing H x 3/4 \ 8500062	Belt B42 \ 8200042
--	-------------------	----------------------------------	------------------------------	-----------------------

**Motor Data**

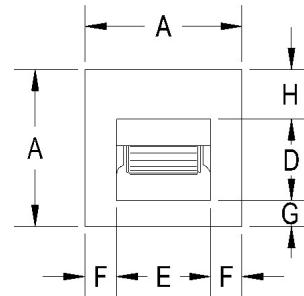
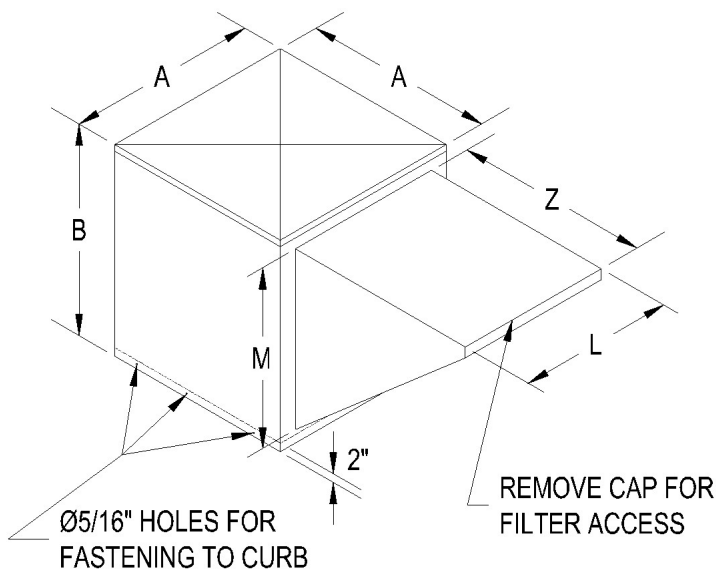
Motor HP and Type 2 ODP	Volts/Phase [115] 115/208-230/1 Phase	Frame 56	Motor RPM 1725	Position 7	Canarm Part Number 1MD116-C-PE
----------------------------	--	-------------	-------------------	---------------	-----------------------------------

**Options**

**Dimensions**

Model: SIG-12

(Inches)



BOTTOM VIEW

<u>A</u>	<u>B</u>	<u>D</u>	<u>E</u>	<u>F</u>	<u>G</u>	<u>H</u>	<u>L</u>	<u>M</u>	<u>Z</u>
32.0	32.0	13.75	15.875	8.0625	9.25	9.0	25.0	24.625	25.0

**Standard Features**

**SIG Series Filtered Fresh Air Supply Single Inlet**

- Forward curved wheel provides quiet, low rpm operation.
- Attractive baked on textured green polyethylene powder coat finish on galvanized steel.
- Recessed base ensures weatherproof mounting to curb.
- Heavy duty, self aligning, grease lubricated ball bearings.
- Blower mounted on rubber for quiet operation.
- Insulated top with latches provide easy access.
- Washable 1" aluminum mesh filters are easily accessed for service.

