

**Equipment Tag**

**Model Information**

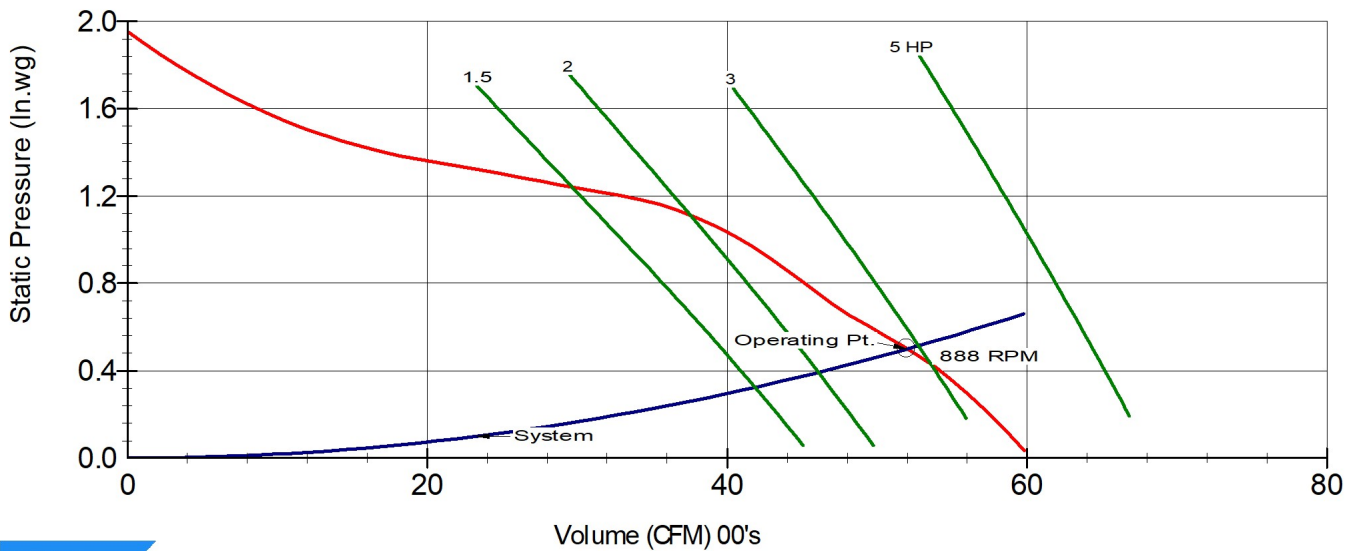
Model: SIG-15	Part Number: SIG-15	
CFM: 5200	Shaft Diameter: 1	Unit Weight: 0
SP: 0.5	Wheel Diameter: 15.5	Ship Weight: 0
RPM: 888	Tip Speed: 3603 FPM	
BHP: 2.87	Static Efficiency: 14	Elevation: 0
	Outlet Velocity: 2533 FPM	Temperature: 70

**Sound Data**

Sound Power Level @ Frequency, re: 10 <sup>-12</sup> Watts	63	125	250	500	1000	2000	4000	8000	(Hz)	LwA: 86
	84	87	86	83	79	79	77	71	(dB)	SONES: 25
	Ducted inlet <u>or</u> ducted outlet dBA @5 ft. 75					Ducted inlet <u>and</u> ducted outlet dBA @5 ft. 55				

**Performance Curve**

DELHI Model SIG-15  
CFM=5200 SP=0.5 BHP=2.87 S. Eff=14% RPM=888



Canarm certifies that the SIG Series Fresh Air Supply Units shown herein are licenced to bear the AMCA Seal. The ratings shown are based on tests and procedures performed in accordance with AMCA Publication 211 and Publication 311, and comply with the requirements of the AMCA Certified Ratings Programme.

Performance certified is for installation type B: Free inlet, Ducted outlet. Power rating bhp does not include transmission losses. Performance ratings include the effects of filters, but do not include the effects of other appurtenances (accessories).

The sound power level ratings shown are in decibels, referred to 10<sup>-12</sup> watts, calculated per AMCA 301. The A-weighted sound power ratings shown have been calculated per AMCA 301. Values shown are for inlet LwA sound power levels for Installation Type B: free inlet, ducted outlet. Ratings include the effects of duct end correction.

v: 13.0.62

**Drive Information**

Motor Pulley 8400 x 1-1/8" \ 8500038	Turns Open 3.5	Blower Pulley MBL77 \ 8500004	Bushing H x 1 \ 8500063	Belt B54 \ 8200054
---	-------------------	----------------------------------	----------------------------	-----------------------

**Motor Data**

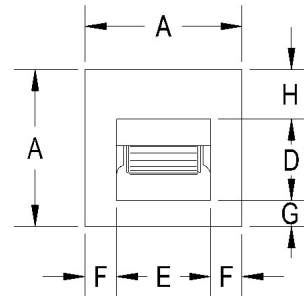
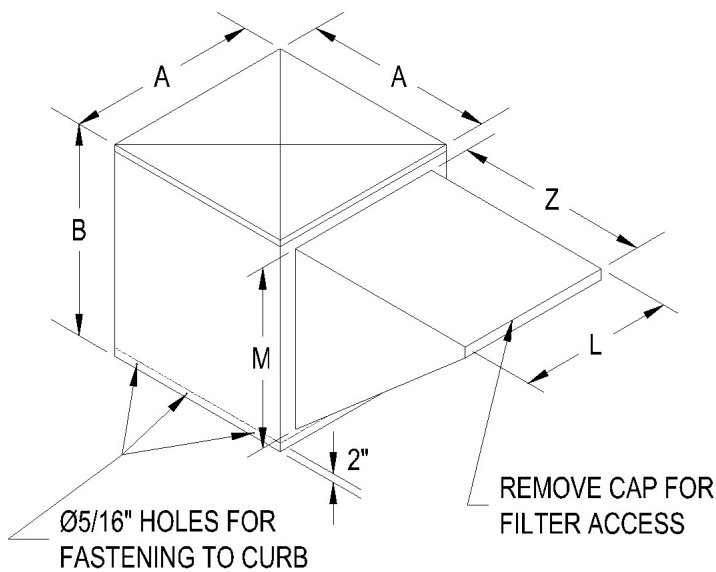
Motor HP and Type 3 ODP	Volts/Phase [115] 115/230/1 Phase	Frame 184	Motor RPM 1725	Position 8	Canarm Part Number 1MD117
----------------------------	--------------------------------------	--------------	-------------------	---------------	------------------------------

**Options**

**Dimensions**

Model: SIG-15

(Inches)



BOTTOM VIEW

<u>A</u>	<u>B</u>	<u>D</u>	<u>E</u>	<u>F</u>	<u>G</u>	<u>H</u>	<u>L</u>	<u>M</u>	<u>Z</u>
32.0	32.0	16.125	18.875	6.5625	6.875	9.0	25.0	24.625	2.0

**Standard Features**

**SIG Series Filtered Fresh Air Supply Single Inlet**

- Forward curved wheel provides quiet, low rpm operation.
- Attractive baked on textured green polyethylene powder coat finish on galvanized steel.
- Recessed base ensures weatherproof mounting to curb.
- Heavy duty, self aligning, grease lubricated ball bearings.
- Blower mounted on rubber for quiet operation.
- Insulated top with latches provide easy access.
- Washable 1" aluminum mesh filters are easily accessed for service.

