

Equipment Tag

Model Information

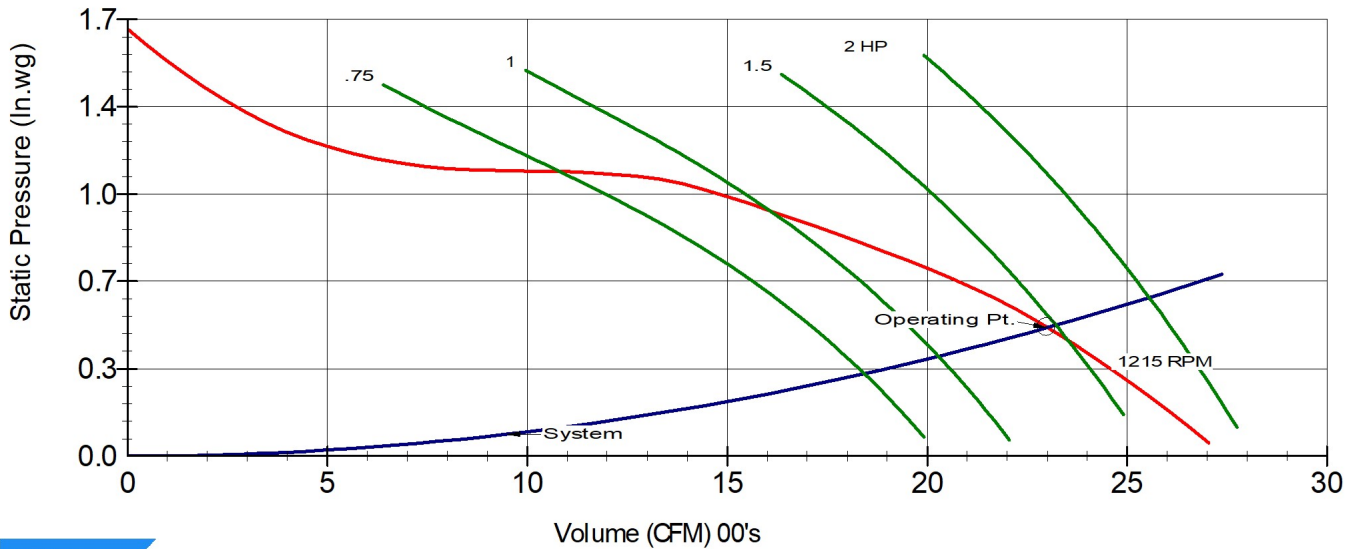
Model: SIG-9	Part Number: SIG-9	
CFM: 2300	Shaft Diameter: 0	Unit Weight: 0
SP: 0.5	Wheel Diameter: 10.25	Ship Weight: 0
RPM: 1215	Tip Speed: 3260 FPM	
BHP: 1.47	Static Efficiency: 12	Elevation: 0
	Outlet Velocity: 2735 FPM	Temperature: 70

Sound Data

Sound Power Level @ Frequency, re: 10 ⁻¹² Watts	63	125	250	500	1000	2000	4000	8000	(Hz)	LwA: 86
	87	92	89	82	80	75	73	69	(dB)	SONES: 25.1
	Ducted inlet <u>or</u> ducted outlet dBA @5 ft. 75					Ducted inlet <u>and</u> ducted outlet dBA @5 ft. 55				

Performance Curve

DELHI Model SIG-9
CFM=2300 SP=0.5 BHP=1.47 S. Eff=12% RPM=1215



Canarm certifies that the SIG Series Fresh Air Supply Units shown herein are licenced to bear the AMCA Seal. The ratings shown are based on tests and procedures performed in accordance with AMCA Publication 211 and Publication 311, and comply with the requirements of the AMCA Certified Ratings Programme.

Performance certified is for installation type B: Free inlet, Ducted outlet. Power rating bhp does not include transmission losses. Performance ratings include the effects of filters, but do not include the effects of other appurtenances (accessories).

The sound power level ratings shown are in decibels, referred to 10⁻¹² watts, calculated per AMCA 301. The A-weighted sound power ratings shown have been calculated per AMCA 301. Values shown are for inlet LwA sound power levels for Installation Type B: free inlet, ducted outlet. Ratings include the effects of duct end correction.

v: 13.0.62

Drive Information

Motor Pulley Turns Open Blower Pulley Bushing Belt

Motor Data

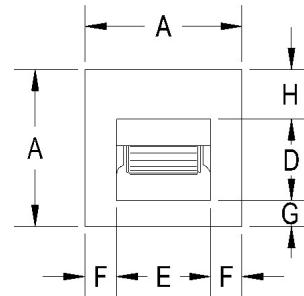
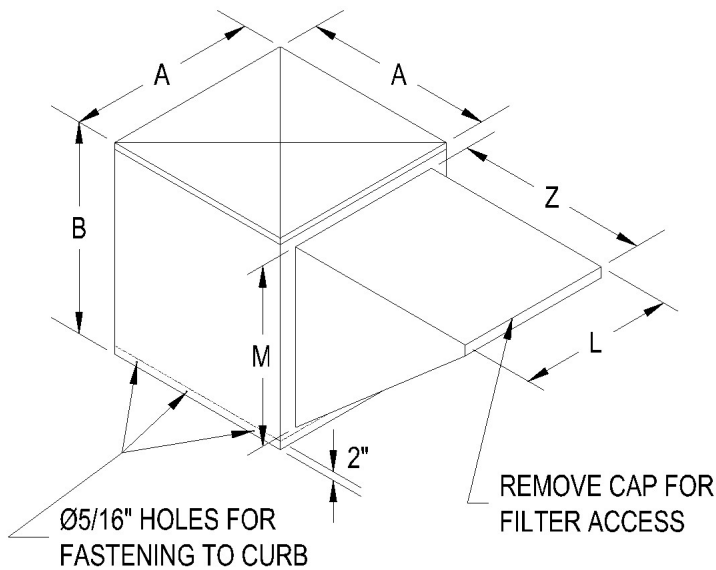
Motor HP Frame Position Canarm Part Number
HP

Options

Dimensions

Model: SIG-9

(Inches)



BOTTOM VIEW

A	B	D	E	F	G	H	L	M	Z
22.0	24.0	10.25	11.875	5.0	3.875	7.875	19.375	18.125	19.875

Standard Features

SIG Series Filtered Fresh Air Supply Single Inlet

- Forward curved wheel provides quiet, low rpm operation.
- Attractive baked on textured green polyethylene powder coat finish on galvanized steel.
- Recessed base ensures weatherproof mounting to curb.
- Heavy duty, self aligning, grease lubricated ball bearings.
- Blower mounted on rubber for quiet operation.
- Insulated top with latches provide easy access.
- Washable 1" aluminum mesh filters are easily accessed for service.

