



**S&P USA**

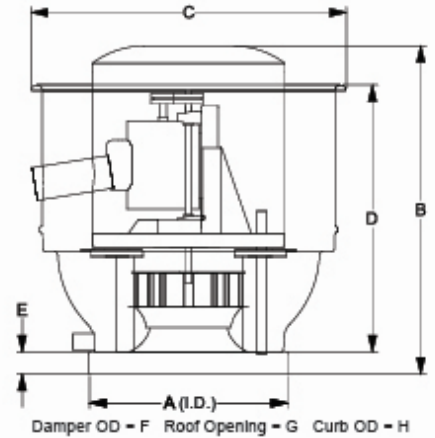
Qty:	1
Tag:	
Project:	Explosion Proof Roof Exhaust

**STXB14-1/4**

**Centrifugal Roof Exhauster-Belt Drive Upblast**

**STANDARD FEATURES:**

Heavy Gauge Aluminum Construction • Non-Overloading Aluminum Curved Backward Inclined Wheel • Drives Sized for a Minimum of 150% of Drive Horsepower • Heavy Duty 200,000 Hour Rated Pillow Block Bearings • Quick-Release latches on motor cover for easy access to motor compartment • Lift lugs for easy and safe placement of the fan on the roof • Integral Deep Spun Inlet • Disconnect standard with ODP and TE single speed motors • AMCA Air and Sound Licensed • cULus 705 Certified • 5 Year Fan and 1 Year Motor Warranty •



**Performance**

Fan RPM	Flow (CFM)	SP (in W.G.)	Power (HP)	SE	TE	FPM (TS)	FPM (OV)
908	1500	.25	.146	40%	48%	3566	873

Altitude (Feet): n/a      Temperature (Fahrenheit): n/a      Density (Lb/Ft3): .075

**Motor Information: (Wired for 115V)**

HP	RPM	Volts/PH/Hz	Enclosure	Efficiency	Mounted
.25	1725	115V/230V/1PH/60HZ	EXPLOSION PROOF	STANDARD	YES

**Sound Power Levels - Octave Bands**

LwA	DBA	Sone	1	2	3	4	5	6	7	8
64.9	53.4	6.6	62.8	71.5	64.3	58.3	59.7	58.6	50.0	41.0

**Submittal Notes:**

**Dimensions (Inches)**

A	B	C	D	E	F	G	H	I	J	K	L	M	N	O	P	Q	R	S	T	U	V	W	X	Y
20	30.88	31.31	25.94	2	14	15.5	18.5		15.5	19.75														

Note: Accessories may effect dimensions shown.

Avg. Shipping Weight (Lbs)\*: 126

\*Includes fan, motor, and packaging.

**Accessories:**

DP STXB14 1/4HP 701-925RPM (1/2) • LABEL UL/CUL 705 LISTED POWER VENT (709J) • AMCA-B SPARK RESISTANT KIT SDB/STXB • BIRD SCREEN, STXB/STXD 12-14 MOUNTED •

