



S&P USA

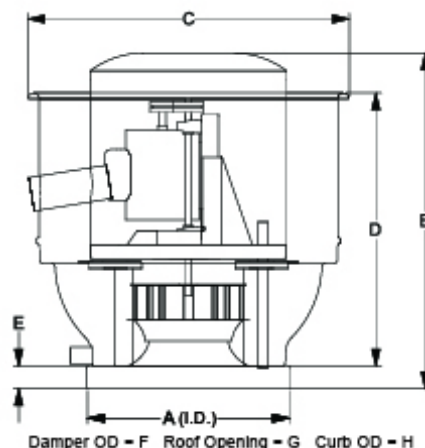
Qty: 1
 Tag:
 Project: Explosion Proof Exhaust Fan
 Optimizer Version 2.0
 Printed: 2022-11-10

STXB18-1.5

Centrifugal Roof Exhauster-Belt Drive Upblast

STANDARD FEATURES:

Heavy Gauge Aluminum Construction • Non-Overloading Aluminum Curved Backward Inclined Wheel • Drives Sized for a Minimum of 150% of Drive Horsepower • Heavy Duty 200,000 Hour Rated Pillow Block Bearings • Lift lugs for easy and safe placement of the fan on the roof • Integral Deep Spun Inlet • Disconnect standard with ODP and TE single speed motors • AMCA Air and Sound Licensed • cULus 705 Certified • 5 Year Fan and 1 Year Motor Warranty



Performance

Fan RPM	Flow (CFM)	SP (in W.G.)	Power (HP)	FEP Actual (kW)	FEI	SE	TE	FPM (TS)	FPM (OV)
1199	4500	.25	1.043	1.02	0.8	17%	30%	5964	1772

Altitude (Feet): n/a Temperature (Fahrenheit): n/a Density (Lb/Ft3): .075

Motor Information: (Wired for 460V)

HP	RPM	Volts/PH/Hz	Enclosure	Efficiency	Mounted
1.5	1725	208V-230V/460V /3PH/60HZ	EXPLOSION PROOF	86.5%	YES

Sound Power Levels - Octave Bands

LwA	dBA	Sones	1	2	3	4	5	6	7	8
81	69	19.5	87	88	84	77	73	71	67	67

Dimensions (Inches)										
A	30.00	B	35.75	C	42.63	D	30.50	E	2.00	
F	24.00	G	25.50	H	28.50	I		J	22.50	
K	29.75	L		M		N		O		
P		Q		R		S		T		
U		V		W		X		Y		

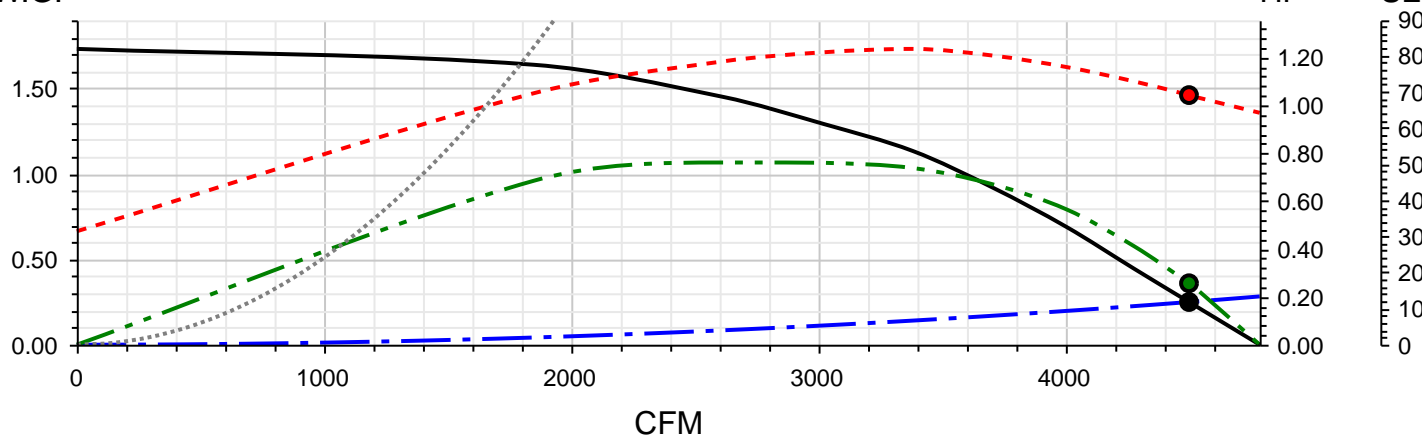
Note: Accessories may effect dimensions shown.

Avg. Shipping Weight (Lbs)*: 230

*Includes fan, motor, and packaging.



in W.G.



— Fan Curve - - - System Curve - - - Horsepower - - - Static Efficiency Stall Curve

Accessories:

DP STXB18 1-1/2HP 1126-1225RPM (7/8) • LABEL UL/CUL 705 LISTED POWER VENT (709J) • AMCA-B SPARK RESISTANT KIT SDB/STXB • BIRD SCREEN, STXB/STXD 18 MOUNTED