

Weather Hood

Galvanized Weather Hoods from J&D Manufacturing help extend the life of your shutter or fan by protecting your investment against harsh weather and severe wind. Weather Hoods are a perfect fit for J&D's ES Shutter Fans, Twister Fans and Shutters, and will also complement fans and shutters from other manufacturers. Weather Hoods are shipped unassembled with easy step-by-step instructions to save you money on shipping costs.

Features

- Protects your fans and shutters against snow, ice, rain and wind
- Multiple sizes to fit almost any shutter or fan
- G90 galvanized steel construction
- Unassembled to save you money on shipping
- Includes assembly hardware and instructions

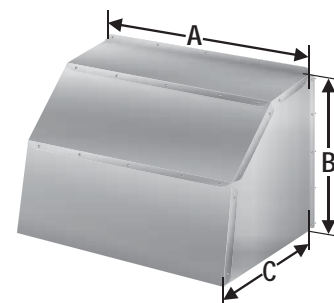


**Protect
your fan
or shutter**



Part #	Description	A-width	B-height	C-depth
VFT140855	Weather Hood, for 10" & 12" Size Fans	13 ³ / ₄ "	13 ⁷ / ₈ "	11 ¹ / ₂ "
VFT140856	Weather Hood, for 16" Size Fans	18 ⁷ / ₈ "	20"	15 ¹ / ₂ "
VFT140857	Weather Hood, for 20" Size Fans	22 ³ / ₄ "	22 ¹ / ₂ "	19 ⁷ / ₈ "
VFT140858	Weather Hood, for 24" Size Fans	26 ⁷ / ₈ "	25 ¹ / ₈ "	24"
VFT140859	Weather Hood, for 30" Size Fans	33"	25 ³ / ₄ "	23 ⁷ / ₈ "
VFT140860	Weather Hood, for 36" Size Fans	41 ³ / ₄ "	25 ³ / ₄ "	24 ¹ / ₄ "
VFT140861	Weather Hood, for 48" & 50" Size Fans	55 ³ / ₄ "	25 ³ / ₄ "	23 ³ / ₄ "
VFT140862	Weather Hood, for 54" Size Fans	55 ¹ / ₂ "	25 ³ / ₄ "	24"

All VFT140 series of weather hoods have 1" mounting flanges



Due to our continual effort to provide the best products available and adhere to market conditions; literature, products, prices and availability are subject to change without notice.