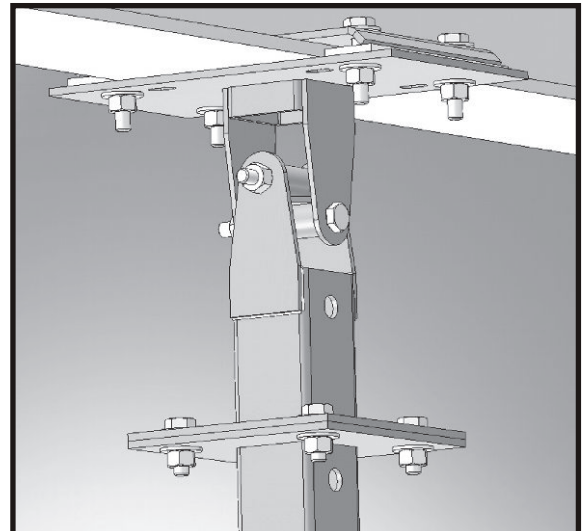
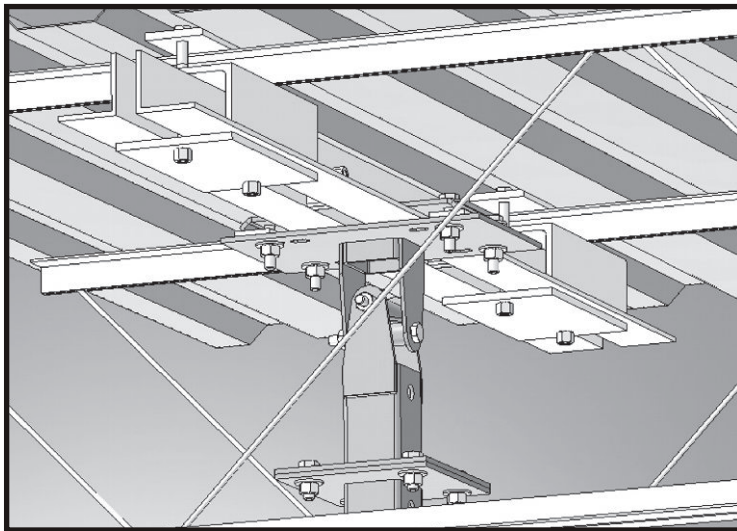
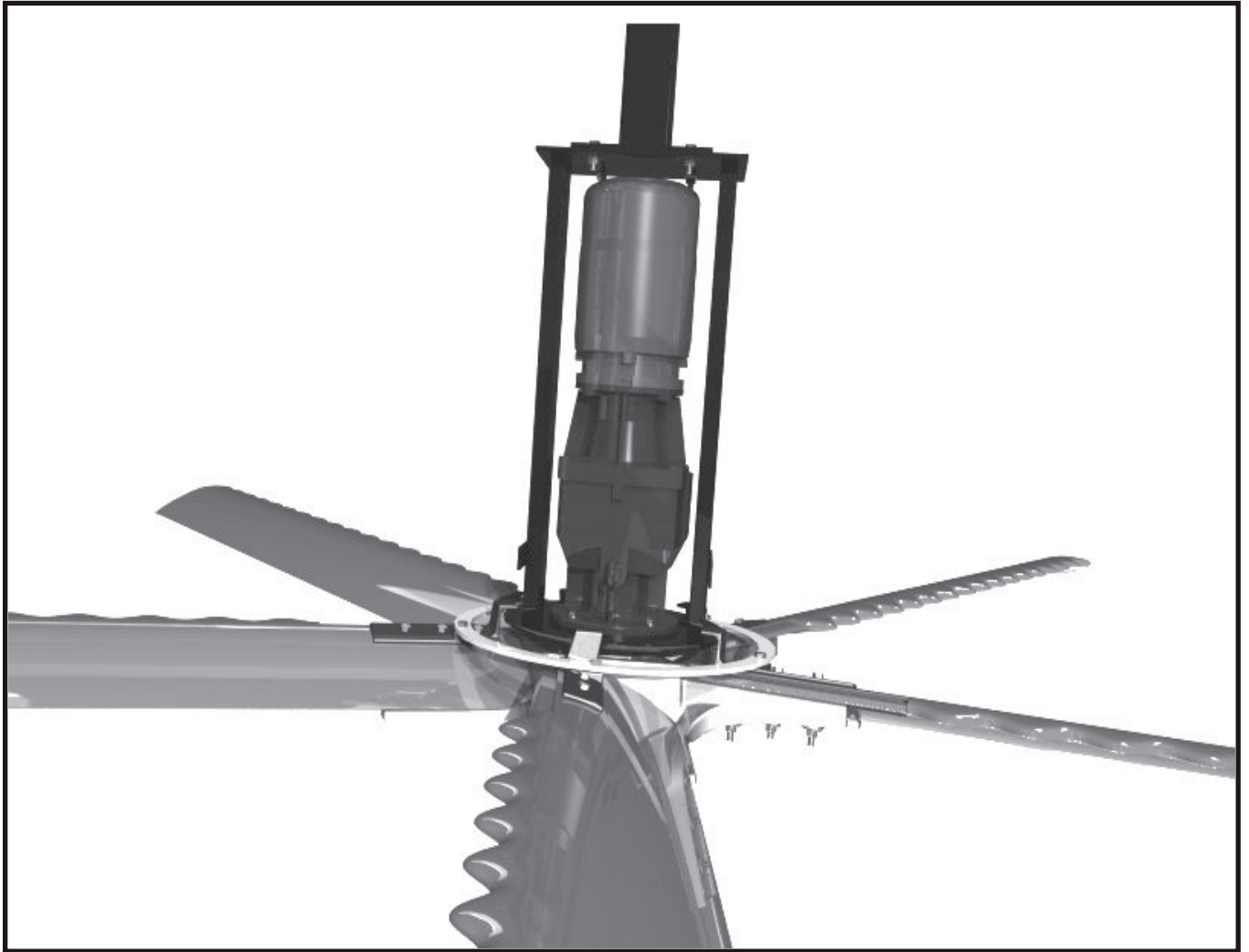
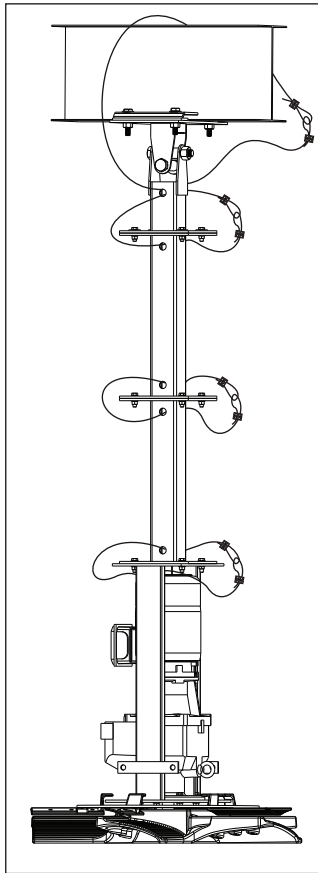


INSTALLATION MANUAL





- (2) Bolt, 3/4"x4 1/2"x10 UNC
- (2) Nylock, 3/4"x 10 UNC



Note: Altra-Air blades are not shown in the assembly to allow greater detail of parts. See detail #14 for finished assembly.

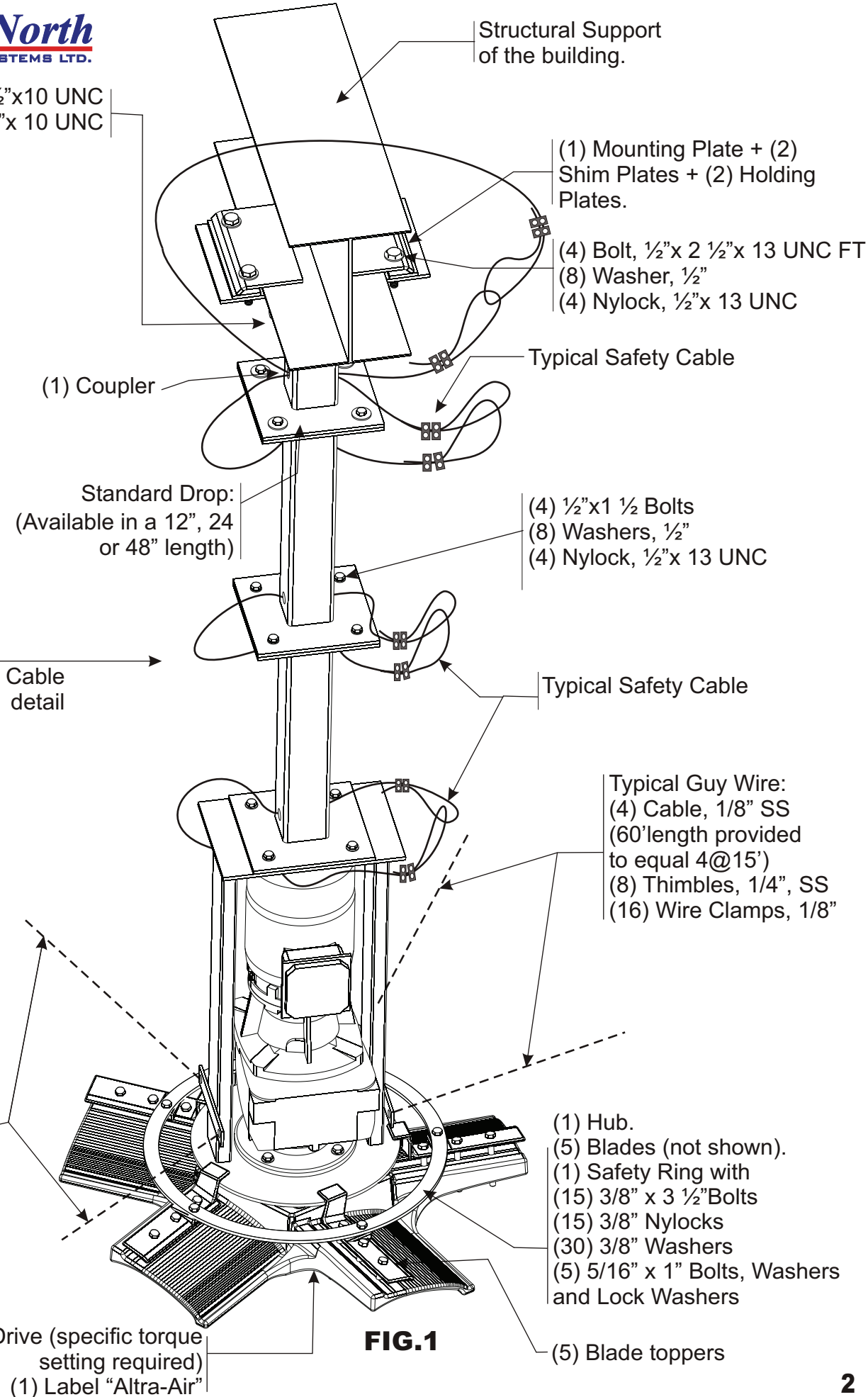


FIG.1

"Note": All bolts are "Grade 5"
FT = Fully Threaded

Index

- 1) **Tools required to install product.**
- 2) **Required steps before installation.**
- 3) **The Standard Mount.**
 - What is included in the Mount package.
 - How to install the Standard Mount.
- 4) **Altra-Air Extensions and installation.**
 - What Extensions are available.
 - How to install the Extensions.
- 5) **Main Hub and Drive Assembly**
 - What is included in the main assembly.
 - How to install the main assembly.
 - Importance to level.
 - Installing the safety cables.
- 6) **Blade Assembly**
 - What is included with the blades.
 - Other possible hardware required.
 - How to install the blades

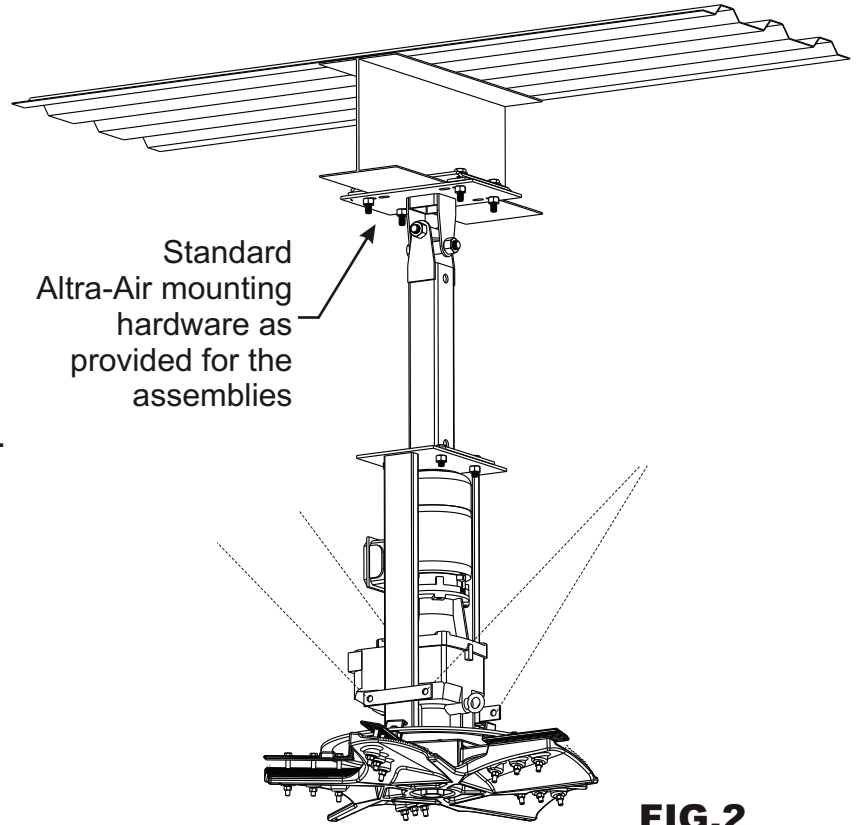


FIG.2

OWSJ Mounting

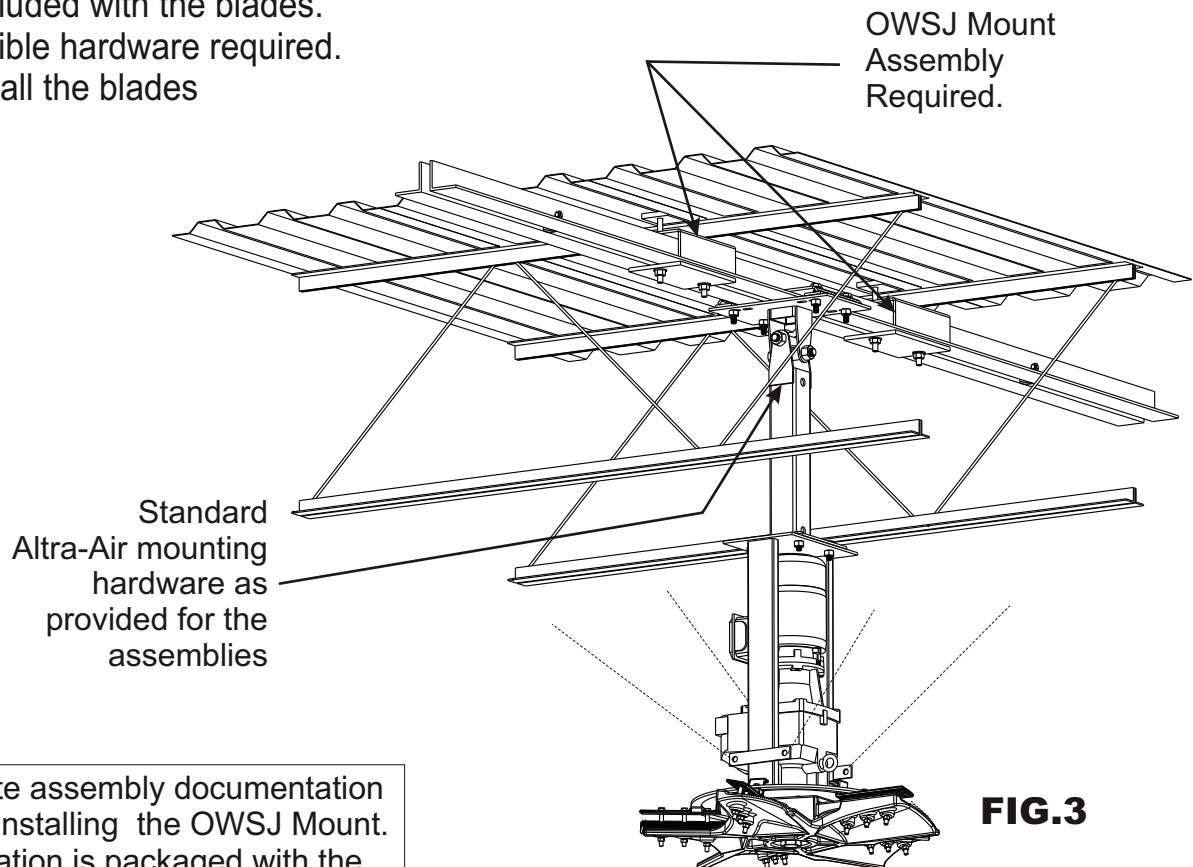


FIG.3

“Note”: Separate assembly documentation is provided for installing the OWSJ Mount. This documentation is packaged with the OWSJ hardware kit.

1) Tools required to install product.

- Level
- Cable cutters (for stainless steel aircraft cable)
- Ratchet or impact gun
- Basic imperial socket set up to 3/4"
- Basic imperial wrench set
- Lifting device or scaffolding

2) The steps to follow before you begin the installation of your Altra-Air Fan:

- Check to see that you have all of the tools required for the installation.
- Check all documentation for all required parts and assemblies to what has been received.
- Check drawings and layouts provided to locate where the Altra-Air Fan is to be installed.
- Ensure work area is safe, secure and that all security, policies and procedures for the facility are met.
- Inspect the lift device or mobile platform.
- Each person installing the Altra-Air Fan must use a safety harness at all times.
- Other safety requirements may be required for installation.
- All workspace safety requirements, lock out procedures and hoarding of construction zone for the assembly and installation must be met and followed.

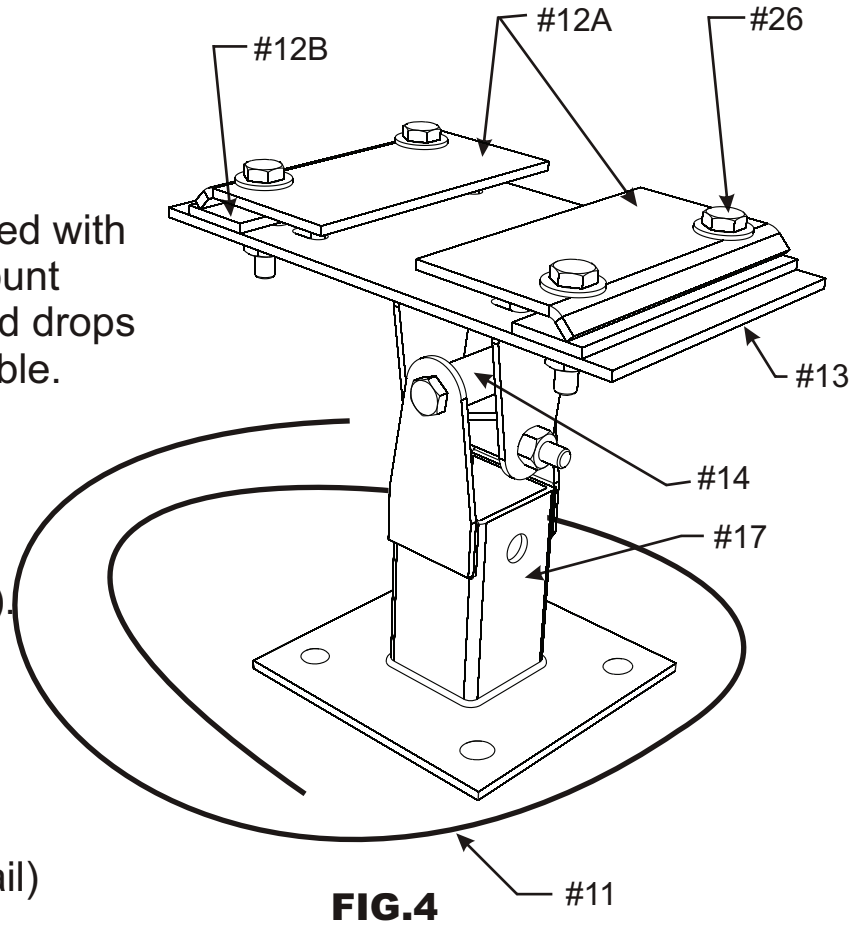
Start your installation.

3) The Standard Mount

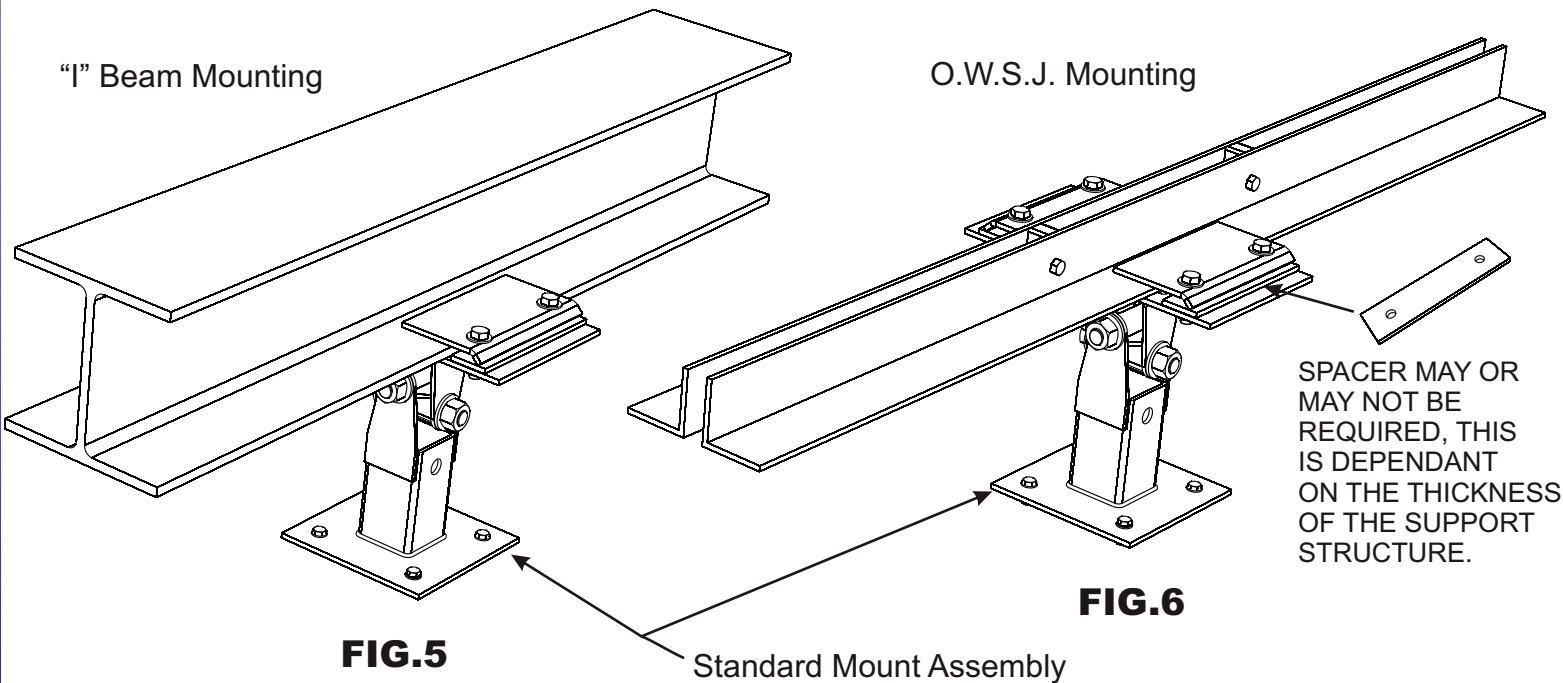
-The Standard Mount package is used with all Altra-Air Assemblies ("I" Beam mount and the OWSJ assemblies). Standard drops mounts of 12",24" and 48" are available.

The package includes:

- 2 Clamping bars #12A.
- 2 Clamping spacer bars #12B (may or may not be required for assembly).
- 1 Upper pivot plate #13.
- 1 Upper pivot (pre-assembled) #14.
- 1 Drop #17 (12",24" & 48" available).
- 4 Bolts & Washers #26.
- 3/16 Safety Cable #11, 6' length
- "U" Cable Clamps (not shown in detail)



Installing the Standard Mount



Altra-Air Extensions

Depending on your assembly your package may include a number of drop extensions that make up the overall drop length of your assembly. *You are only allowed to use a maximum of two extensions per assembly!* If a specific drop distance is required, a custom assembly must be ordered.

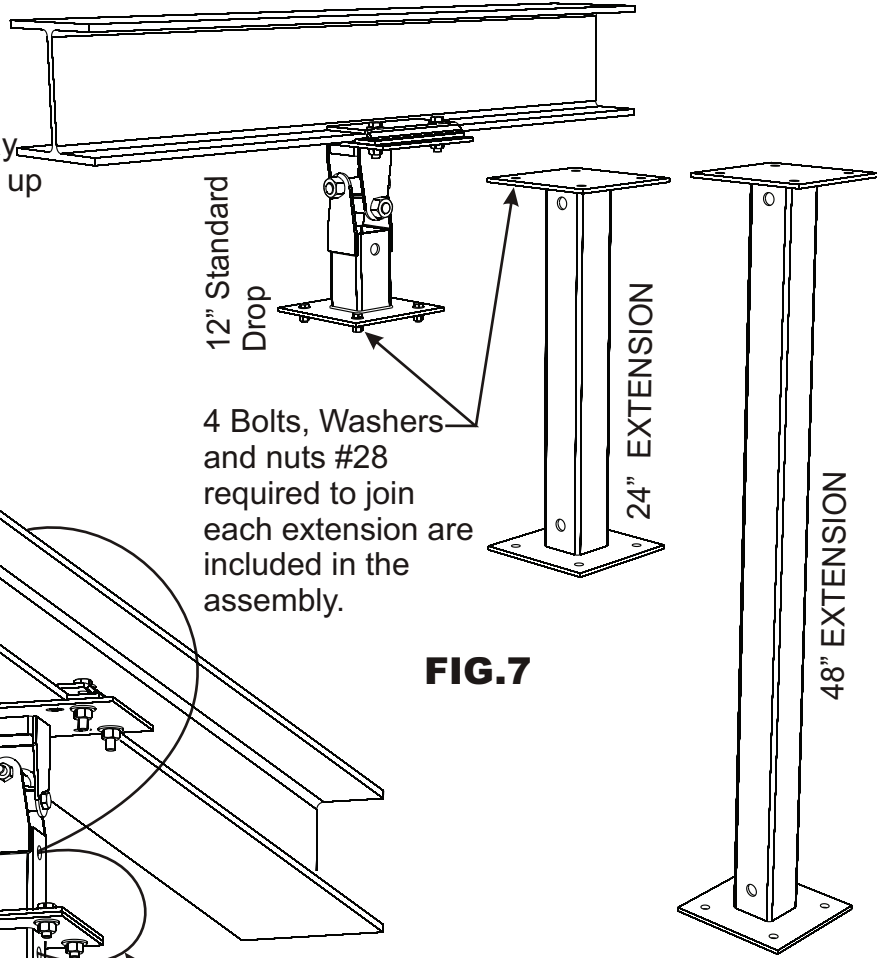


FIG.7

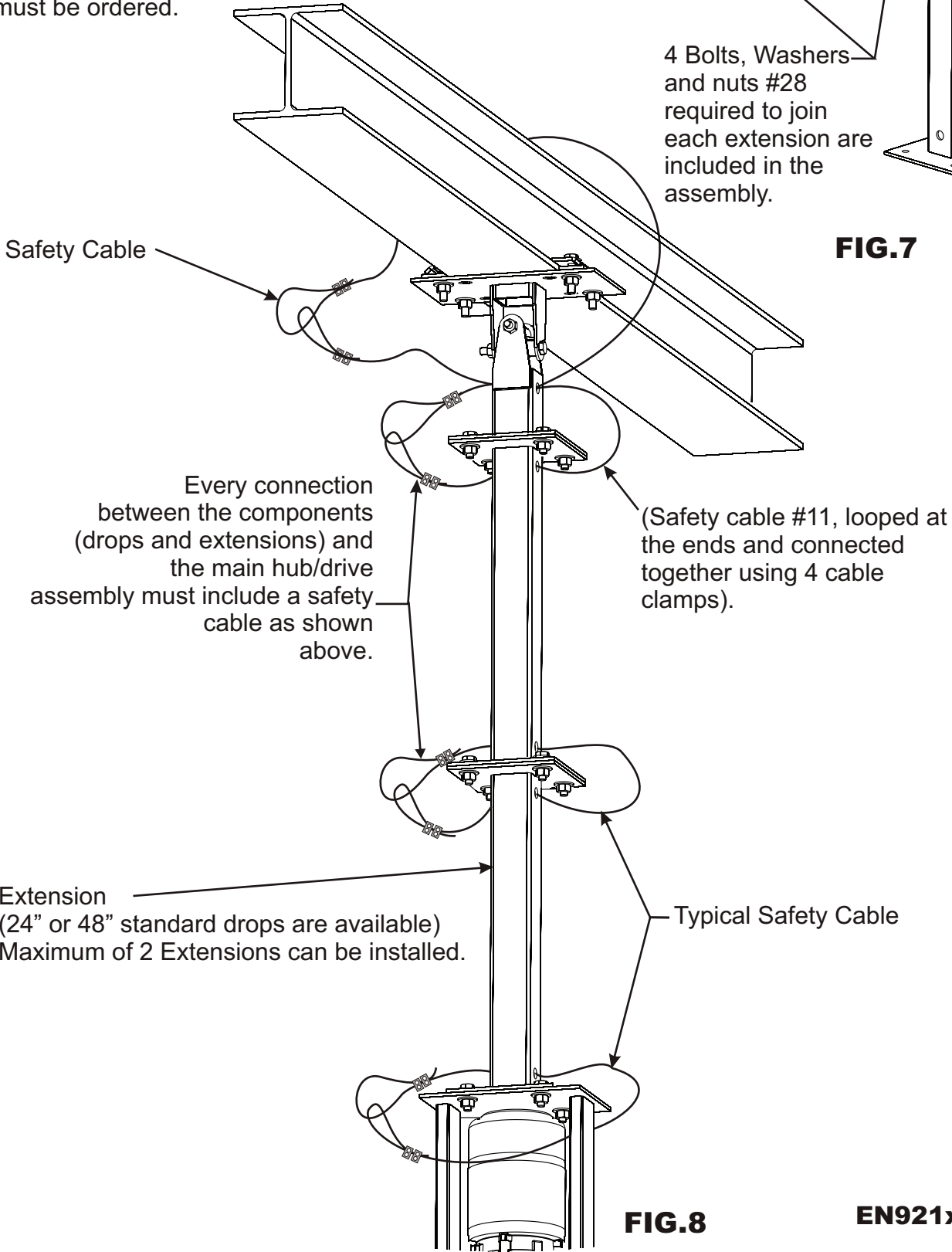


FIG.8

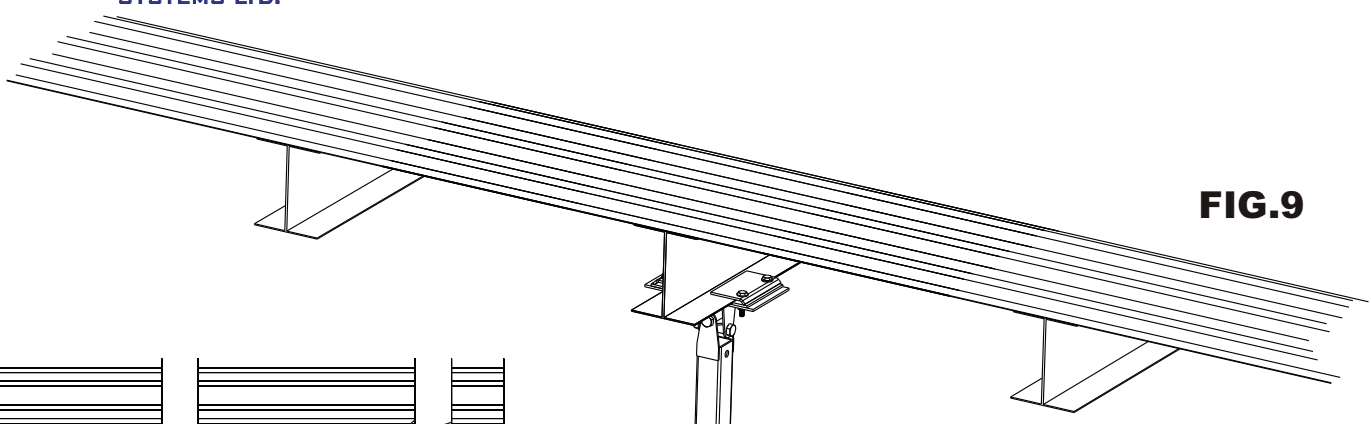


FIG.9

FIG.10

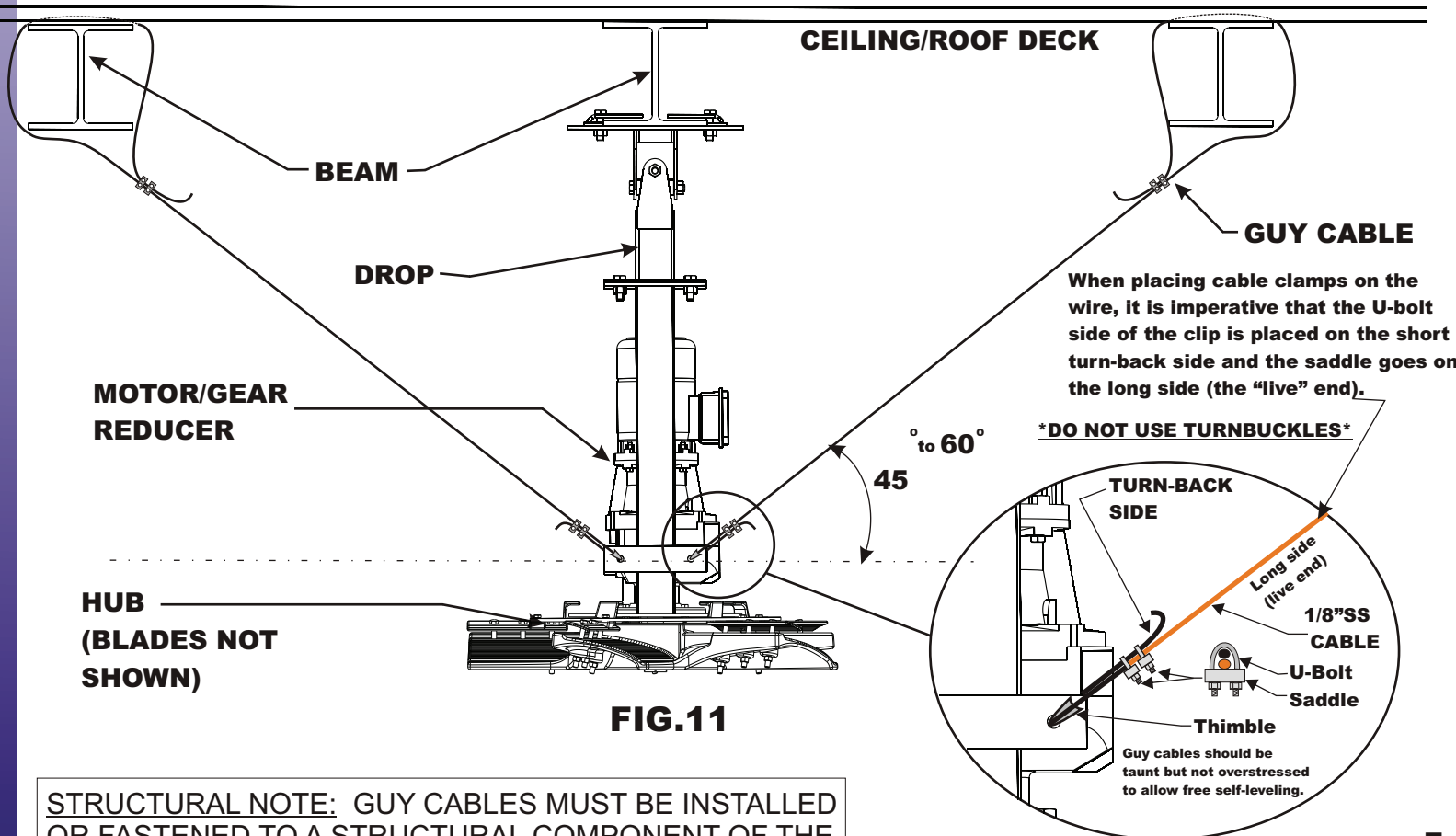
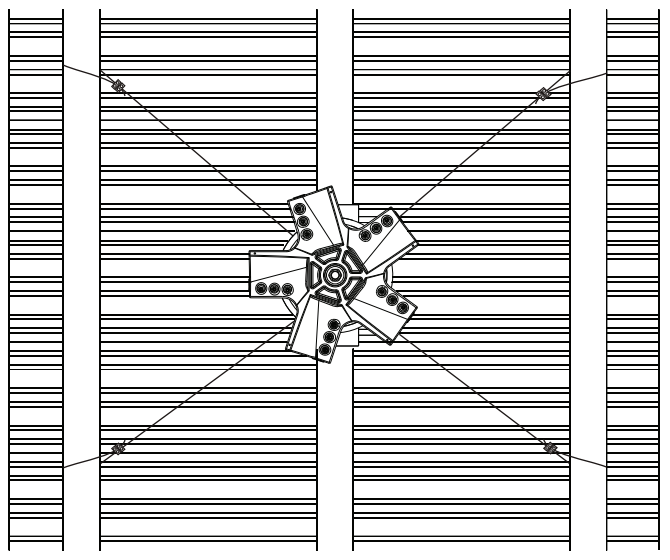
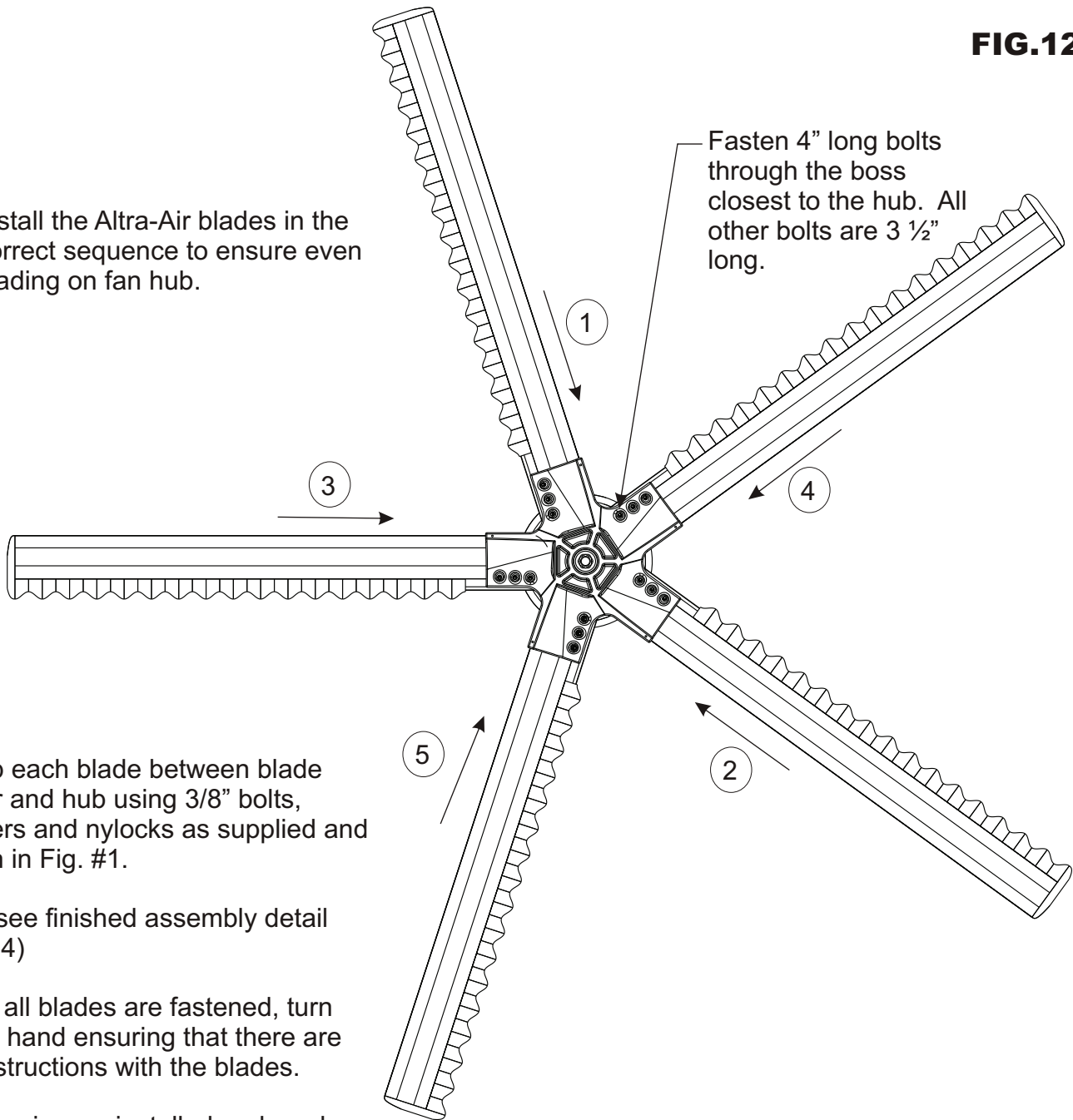


FIG.11

STRUCTURAL NOTE: GUY CABLES MUST BE INSTALLED OR FASTENED TO A STRUCTURAL COMPONENT OF THE BUILDING AT THE ANGLE SHOWN ABOVE.

FIG.12

Install the Altra-Air blades in the correct sequence to ensure even loading on fan hub.



Clamp each blade between blade topper and hub using 3/8" bolts, washers and nylocks as supplied and shown in Fig. #1.

(Also see finished assembly detail FIG. 14)

When all blades are fastened, turn fan by hand ensuring that there are no obstructions with the blades.

Your fan is now installed and ready for electrical installation / connection.

FIG.13

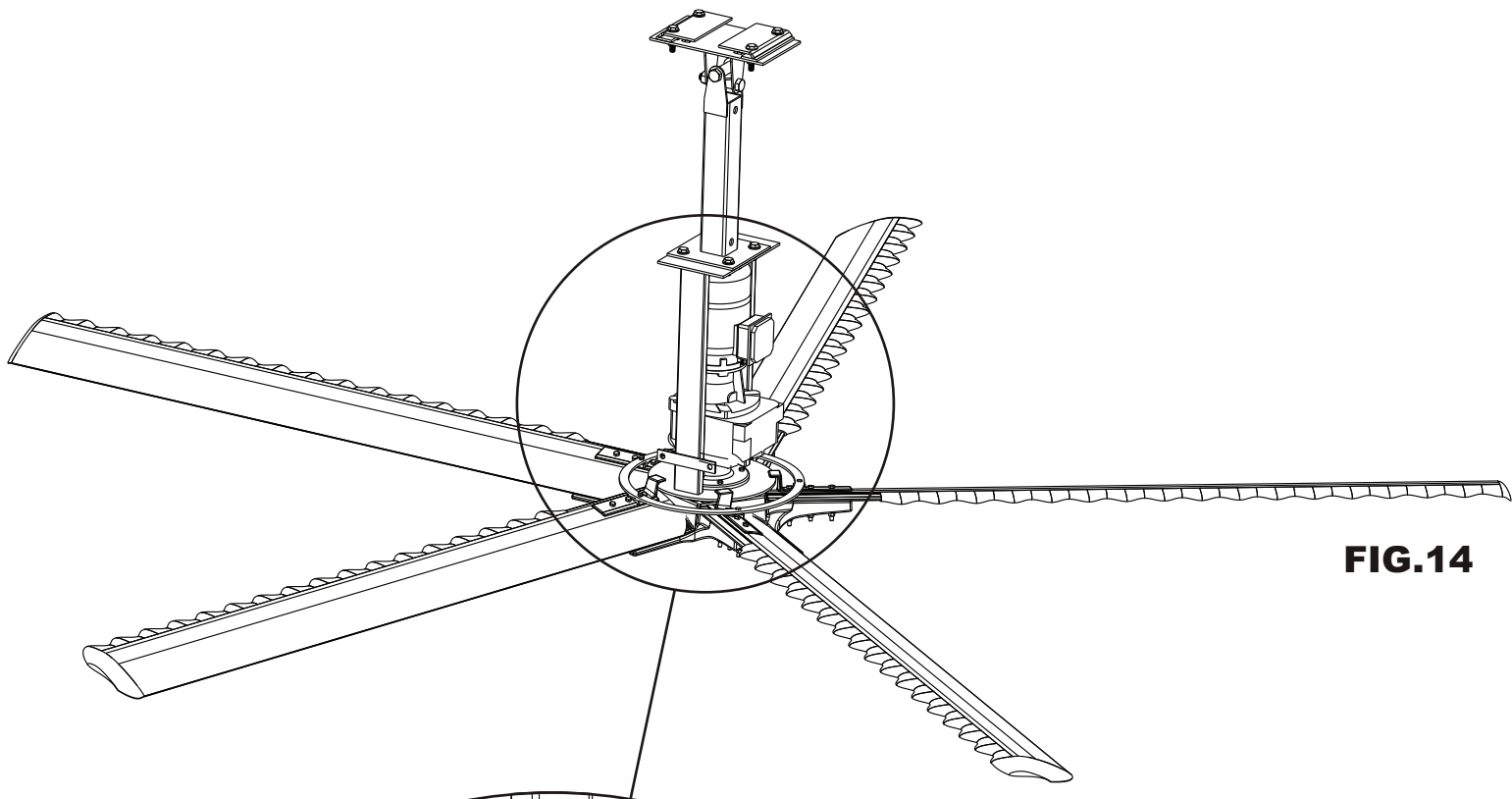
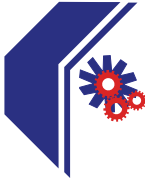
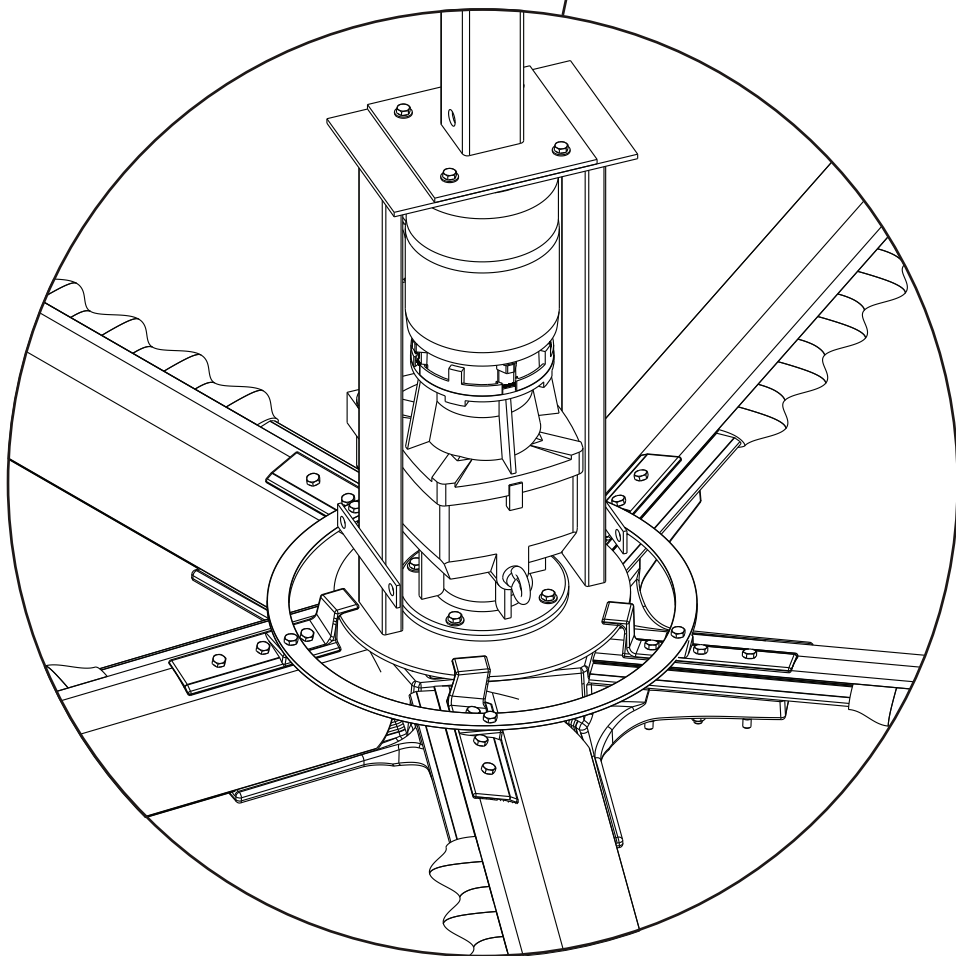


FIG.14



Altra-Air

- 5 - 5/16" x 1" Bolts
- 5 - 5/16 Washers
- 5 - EN600x5700
Support clamps

