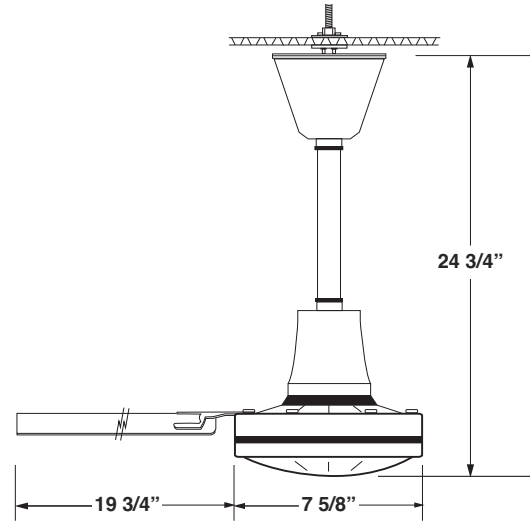
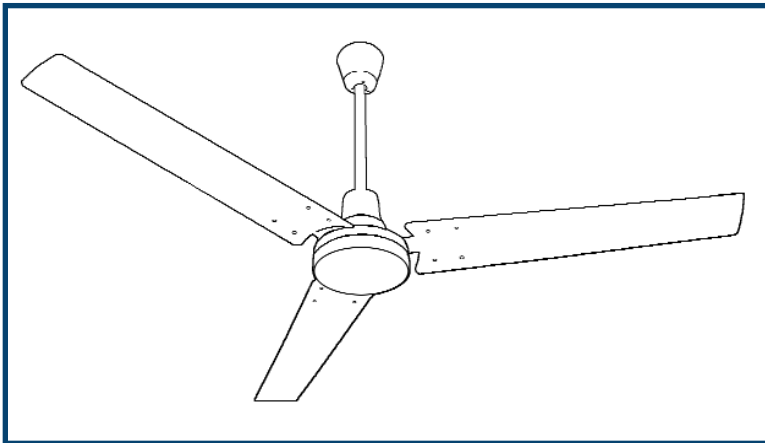


HIGH PERFORMANCE CEILING FANS

MODEL: CP48HPWP HEAVY DUTY • HIGH PERFORMANCE • MAXIMUM OUTPUT



Features

- Engineered and designed for spacious applications where maximum floor coverage is required.
- Reversible motor for both winter destratification and summer time cooling
- Fans are sealed and suitable for high moisture applications.
- All high performance fans are weather resistant.
- Straight blades and heavy duty motors for higher air movement and better cooling capacity.

Performance Data & Specifications

Ratings

Model Number	Fan Size	Max RPM	Air Velocity 5' from fan	Air Delivery @ floor	Amps High	Watts High	Downrod Length	Shipping Weight (Lbs.)
CP48 HPWP	48"	325	700 ft/min	21,000 cfm	0.63	62	16"	18.00



CEILING FAN SPEED CONTROLS

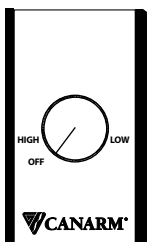
MODELS: "MC" CONTROL & "FRMC5" CONTROL

"MC" CONTROL

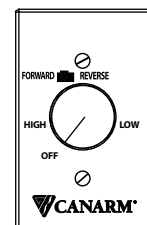
- Available in 4 models: 3 amp, 5 amp, 10 amp and 15 amp.
- The MC15 can operate up to 12 fans on a single control.
- Infinite speed adjustment
- Minimum speed adjustment screw.
- Designed to fit a standard 3" x 5" electrical box.
- Mount in a dry location such as the control room.

"FRMC5" CONTROL

- A slide switch is provided to change the direction of the fan from updraft to downdraft.
- 5 amp rating for all reversible models.
- Up to 4 fans can operate on a single control.
- Infinite speed adjustment.
- Minimum speed adjustment screw.
- Designed to fit a standard 3" x 5" electrical box.
- Mount in a dry location such as the control room.



Model Number	Max # of Fans/control	Variable Speed Operation	Power Supply	Ampere Rating
MC-3	2	Manual	120V/1/60HZ	2.5
MC-5	4			5.0
MC-10	8			10.0
MC-15	12			15.0
FRMC5	4	Manual c/w Forward/Reverse Switch		5.0



Subject to change without notice. 05/12