



# SQB

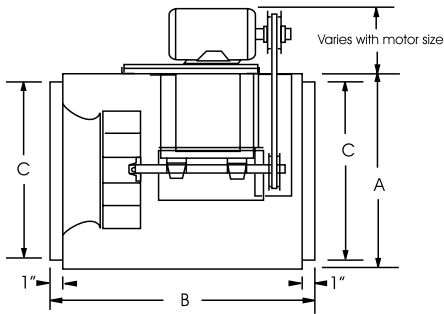
## SQUARE INLINE BELT DRIVE CENTRIFUGAL DUCT FAN



### APPLICATION

Model SQB square inline duct mounted fans are available in sizes 7 through 24, moving from 100 to over 9,300 CFM, with static pressure capabilities to 1-1/2". SQB units are the perfect selection for clean air applications where space is a leading consideration. The compact housing with removable access doors and side discharge capability can be mounted in any orientation. AMCA licensed performance and UL listing assure that you've made a reliable selection.

### DIMENSIONAL DATA



| SIZE | A  | B  | C      | AVG SHIP WT |
|------|----|----|--------|-------------|
| 7    | 15 | 23 | 11-7/8 | 75          |
| 8    | 15 | 23 | 11-7/8 | 75          |
| 10   | 17 | 23 | 13-7/8 | 85          |
| 12   | 21 | 23 | 17-7/8 | 95          |
| 15   | 24 | 30 | 21-7/8 | 140         |
| 18   | 28 | 30 | 23-7/8 | 190         |
| 20   | 32 | 34 | 27-7/8 | 220         |
| 24   | 39 | 38 | 34-7/8 | 320         |

### CERTIFICATIONS



S&P USA Ventilation Systems LLC., Div. of Soler & Palau Ventilation Group, certifies that the Models SQB shown herein are licensed to bear the AMCA Seal. The ratings shown are based on tests and procedures performed in accordance with AMCA Publication 211 and AMCA Publication 311 and comply with the requirement of the AMCA Certified Ratings Program.



Listed Power Roof Ventilator UL Standard 705

### ACCESSORIES

| MODEL SQB | GRAVITY DAMPER |           | DAMPER MOTOR (LOOSE) | MOTOR SAFETY GUARD | VIBRATION ISOLATORS HANGING STYLE |                  | VIBRATION ISOLATORS FLOOR MOUNT |                  |
|-----------|----------------|-----------|----------------------|--------------------|-----------------------------------|------------------|---------------------------------|------------------|
|           | OD             | STOCK NO. | STOCK NO.            | STOCK NO.          | RUBBER STOCK NO.                  | SPRING STOCK NO. | RUBBER STOCK NO.                | SPRING STOCK NO. |
| 7, 8      | 12             | 411012 ●  | 411611 ●             | MGSQB78 ●          | VHRSQ06-15 ●                      | VHSSQ06-20 ●     | VFRSQ06-15 ●                    | VFSSQ06-20 ●     |
| 10        | 14             | 411014 ●  | 411611 ●             | MGSQB1012 ●        | VHRSQ06-15 ●                      | VHSSQ06-20 ●     | VFRSQ06-15 ●                    | VFSSQ06-20 ●     |
| 12        | 19             | 411018 ●  | 411611 ●             | MGSQB1012 ●        | VHRSQ06-15 ●                      | VHSSQ06-20 ●     | VFRSQ06-15 ●                    | VFSSQ06-20 ●     |
| 15        | 22             | 411022 ●  | 411611 ●             | MGSQB15 ●          | VHRSQ06-15 ●                      | VHSSQ06-20 ●     | VFRSQ06-15 ●                    | VFSSQ06-20 ●     |
| 18        | 24             | 411024 ●  | 411611 ●             | MGSQB18 ●          | VHRSQ18-20 ●                      | VHSSQ06-20 ●     | VFRSQ18-20 ●                    | VFSSQ06-20 ●     |
| 20        | 28             | 411028 ●  | 411611 ●             | MGSQB2024 ●        | VHRSQ18-20 ●                      | VHSSQ06-20 ●     | VFRSQ18-20 ●                    | VFSSQ06-20 ●     |
| 24        | 35             | 611035 ●  | 411611 ●             | MGSQB2024 ●        | VHRSQ24-30 ●                      | VHSSQ24 ●        | VFRSQ24-30 ●                    | VFSSQ24-30 ●     |



# SQB

## SQUARE INLINE BELT DRIVE CENTRIFUGAL DUCT FAN



### PERFORMANCE DATA

| MODEL<br>SQB | MOTOR<br>HP | MAX<br>BHP | RPM  | SONES<br>AT<br>1/2 SP | CFM AT STATIC PRESSURE |      |      |      |      |      |       |             | VENTILATOR WITH OPEN DRIP-PROOF<br>MOTOR AND DRIVE ASSEMBLY |                  |
|--------------|-------------|------------|------|-----------------------|------------------------|------|------|------|------|------|-------|-------------|---|------------------|
|              |             |            |      |                       | 1/8                    | 1/4  | 3/8  | 1/2  | 3/4  | 1    | 1-1/4 | 1-1/2       | 115/1/60*   | 208-230/460/3/60 |
|              |             |            |      |                       |                        |      |      |      |      |      |       |             | STOCK NO.   | STOCK NO.        |
| 7            | 1/4         | 0.06       | 1210 | -                     | 184                    | 140  | 86   | -    | -    | -    | -     | -           | SQB07ML1S ●   | -                |
|              | 1/4         | 0.13       | 1530 | 9.1                   | 244                    | 219  | 183  | 140  | -    | -    | -     | -           | SQB07MH1S ●   | -                |
|              | 1/4         | 0.11       | 1450 | 8.4                   | 229                    | 198  | 162  | 116  | -    | -    | -     | -           | SQB07PH1S ●   | -                |
|              | 1/4         | 0.26       | 1930 | 14.3                  | 320                    | 302  | 282  | 249  | 189  | 123  | -     | -           | SQB07PH1S ●   | -                |
|              | 1/3         | 0.25       | 1690 | 10.8                  | 274                    | 256  | 220  | 192  | 114  | -    | -     | -           | SQB07PH1S ●   | -                |
| 8            | 1/4         | 0.34       | 1050 | -                     | 454                    | 348  | -    | -    | -    | -    | -     | -           | SQB08ML1S ●   | -                |
|              | 1/4         | 0.34       | 1575 | 10.7                  | 756                    | 698  | 628  | 557  | -    | -    | -     | -           | SQB08MH1S ●   | -                |
|              | 1/4         | 0.34       | 1425 | 9.3                   | 673                    | 605  | 525  | 442  | -    | -    | -     | -           | SQB08MH1S ●   | -                |
|              | 1/4         | 0.34       | 1800 | 13.8                  | 879                    | 831  | 775  | 713  | 589  | -    | -     | -           | SQB08PH1S ●   | -                |
|              | 1/3         | 0.34       | 1500 | 9.9                   | 715                    | 652  | 577  | 504  | -    | -    | -     | -           | SQB08PH1S ●   | -                |
|              | 1/3         | 0.37       | 2025 | 17.4                  | 1000                   | 958  | 912  | 861  | 749  | 634  | -     | -           | SQB08QH1S ●   | SQB08QH3S ●      |
|              | 1/2         | 0.37       | 1850 | 14.6                  | 906                    | 859  | 807  | 747  | 626  | -    | -     | -           | SQB08QH1S ●   | SQB08QH3S ●      |
| 10           | 1/4         | 0.56       | 1050 | -                     | 799                    | 684  | 543  | -    | -    | -    | -     | -           | SQB10MH1S ●   | -                |
|              | 1/4         | 0.56       | 1500 | 10.0                  | 1227                   | 1145 | 1066 | 984  | 789  | -    | -     | -           | SQB10PH1S ●   | -                |
|              | 1/3         | 0.56       | 1175 | 6.6                   | 921                    | 819  | 706  | 570  | -    | -    | -     | -           | SQB10PH1S ●   | -                |
|              | 1/3         | 0.56       | 1650 | 11.9                  | 1363                   | 1291 | 1218 | 1146 | 984  | 787  | -     | -           | SQB10QH1S ●   | SQB10QH3S ●      |
|              | 1/2         | 0.56       | 1450 | 9.4                   | 1181                   | 1096 | 1015 | 927  | 716  | -    | -     | -           | SQB10QH1S ●   | SQB10QH3S ●      |
|              | 1/2         | 0.52       | 1900 | 16.0                  | 1587                   | 1530 | 1464 | 1401 | 1275 | 1130 | 967   | -           | SQB10RH1S ●   | SQB10RH3S ●      |
|              | 3/4         | 0.52       | 1700 | 12.7                  | 1408                   | 1340 | 1268 | 1198 | 1045 | 865  | -     | -           | SQB10RH1S ●   | SQB10RH3S ●      |
| 12           | 3/4         | 0.78       | 2175 | 21.0                  | 1831                   | 1784 | 1730 | 1672 | 1564 | 1451 | 1325  | 1189        | SQB10RH1S ●   | SQB10RH3S ●      |
|              | 1/4         | 0.78       | 900  | -                     | 1292                   | 1102 | 748  | -    | -    | -    | -     | -           | SQB12MH1S ●   | -                |
|              | 1/4         | 0.78       | 1170 | 9.3                   | 1774                   | 1634 | 1492 | 1320 | -    | -    | -     | -           | SQB12MH1S ●   | -                |
|              | 1/3         | 0.78       | 1025 | 6.9                   | 1518                   | 1356 | 1172 | 787  | -    | -    | -     | -           | SQB12PH1S ●   | -                |
|              | 1/3         | 0.78       | 1275 | 11.3                  | 1956                   | 1831 | 1699 | 1564 | 1067 | -    | -     | -           | SQB12PH1S ●   | -                |
|              | 1/2         | 0.78       | 1120 | 8.4                   | 1687                   | 1538 | 1388 | 1183 | -    | -    | -     | -           | SQB12QH1S ●   | SQB12QH3S ●      |
|              | 1/2         | 0.78       | 1475 | 15.1                  | 2298                   | 2193 | 2081 | 1967 | 1720 | 1246 | -     | -           | SQB12QH1S ●   | SQB12QH3S ●      |
|              | 3/4         | 0.78       | 1325 | 12.3                  | 2042                   | 1923 | 1795 | 1670 | 1290 | -    | -     | -           | SQB12RH1S ●   | SQB12RH3S ●      |
|              | 3/4         | 0.78       | 1675 | 18.4                  | 2635                   | 2544 | 2450 | 2349 | 2151 | 1917 | 1514  | -           | SQB12RH1S ●   | SQB12RH3S ●      |
| 15           | 1           | 0.78       | 1525 | 15.9                  | 2382                   | 2281 | 2174 | 2063 | 1835 | 1470 | -     | -           | SQB12SH1S ●   | SQB12SH3S ●      |
|              | 1           | 1.05       | 1850 | 22.0                  | 2928                   | 2847 | 2763 | 2676 | 2492 | 2312 | 2087  | 1729        | SQB12SH1S ●   | SQB12SH3S ●      |
|              | 1/4         | 1.05       | 770  | -                     | 1607                   | 1414 | 1133 | -    | -    | -    | -     | -           | SQB15MH1S ●   | -                |
|              | 1/4         | 1.05       | 950  | 7.7                   | 2070                   | 1909 | 1752 | 1544 | -    | -    | -     | -           | SQB15MH1S ●   | -                |
|              | 1/3         | 1.05       | 825  | -                     | 1749                   | 1570 | 1345 | -    | -    | -    | -     | -           | SQB15PH1S ●   | -                |
|              | 1/3         | 1.05       | 1060 | 10.2                  | 2348                   | 2197 | 2060 | 1911 | 1464 | -    | -     | -           | SQB15PH1S ●   | -                |
|              | 1/2         | 1.05       | 990  | 8.6                   | 2172                   | 2015 | 1866 | 1683 | -    | -    | -     | -           | SQB15QH1S ●   | SQB15QH3S ●      |
|              | 1/2         | 1.05       | 1205 | 13.5                  | 2712                   | 2572 | 2447 | 2327 | 2036 | 1576 | -     | -           | SQB15QH1S ●   | SQB15QH3S ●      |
|              | 3/4         | 1.05       | 1105 | 11.1                  | 2461                   | 2314 | 2181 | 2046 | 1671 | -    | -     | -           | SQB15RH1S ●   | SQB15RH3S ●      |
|              | 3/4         | 0.99       | 1375 | 17.2                  | 3129                   | 3007 | 2890 | 2783 | 2568 | 2293 | 1922  | -           | SQB15RH1S ●   | SQB15RH3S ●      |
|              | 1           | 0.99       | 1160 | 12.4                  | 2598                   | 2456 | 2328 | 2202 | 1878 | -    | -     | -           | SQB15SH1S ●   | SQB15SH3S ●      |
| 1            | 1.07        | 1530       | 21.0 | 3507                  | 3399                   | 3290 | 3188 | 2997 | 2798 | 2539 | 2221  | SQB15SH1S ● | SQB15SH3S ●   |                  |
| 1-1/2        | 1.06        | 1445       | 18.8 | 3300                  | 3185                   | 3071 | 2966 | 2765 | 2531 | 2230 | -     | SQB15TH1S ● | SQB15TH3S ●   |                  |
| 1-1/2        | 1.56        | 1735       | 26.0 | 4004                  | 3909                   | 3813 | 3717 | 3542 | 3375 | 3200 | 2984  | SQB15TH1S ● | SQB15TH3S ●   |                  |

Performance certified is for installation Type-B-free inlet, ducted outlet.

Power ratings (BHP) do not include transmission losses.

The sound ratings shown are loudness values in fan sones @ 5' (1.5m) in a hemispherical free field calculated per AMCA Standard 301.

Installation Type A: free inlet hemispherical sone levels.

\*Tri-voltage (115-208-230) is standard on 3/4 through 1-1/2 HP Single phase motors. Tri-voltage is available for the 1/2 HP motors. Inquire for price and delivery.

■ NEXT DAY SHIPMENT FROM STOCK | ● 3-DAY SHIPMENT | ▲ 7-DAY SHIPMENT | ◆ 14-DAY SHIPMENT

Contact support at Custserv.Jax@SolerPalau.com. Prices are subject to change, and products may be discontinued without notice. Please reference special pricing and shipping before submitting orders.



# SQB

## SQUARE INLINE BELT DRIVE CENTRIFUGAL DUCT FAN



### PERFORMANCE DATA

| MODEL<br>SQB | MOTOR<br>HP | MAX<br>BHP | RPM  | SONES<br>AT<br>1/2 SP | CFM AT STATIC PRESSURE |      |      |      |      |      |       |       | VENTILATOR WITH OPEN DRIP-PROOF<br>MOTOR AND DRIVE ASSEMBLY |                  |
|--------------|-------------|------------|------|-----------------------|------------------------|------|------|------|------|------|-------|-------|---|------------------|
|              |             |            |      |                       | 1/8                    | 1/4  | 3/8  | 1/2  | 3/4  | 1    | 1-1/4 | 1-1/2 | 115/1/60*   | 208-230/460/3/60 |
|              |             |            |      |                       |                        |      |      |      |      |      |       |       | STOCK NO.   | STOCK NO.        |
| 18           | 1/3         | 1.56       | 700  | 5.9                   | 2401                   | 2150 | 1886 | 1454 | -    | -    | -     | -     | SQB18PH1S ●   | -                |
|              | 1/3         | 1.56       | 800  | 7.6                   | 2807                   | 2601 | 2360 | 2135 | -    | -    | -     | -     | SQB18PH1S ●   | -                |
|              | 1/2         | 1.56       | 700  | 5.9                   | 2401                   | 2150 | 1886 | 1454 | -    | -    | -     | -     | SQB18QH1S ●   | SQB18QH3S ●      |
|              | 1/2         | 1.56       | 925  | 10.2                  | 3307                   | 3128 | 2945 | 2731 | 2309 | -    | -     | -     | SQB18QH1S ●   | SQB18QH3S ●      |
|              | 3/4         | 1.56       | 750  | 6.7                   | 2605                   | 2381 | 2127 | 1853 | -    | -    | -     | -     | SQB18RH1S ●   | SQB18RH3S ●      |
|              | 3/4         | 1.56       | 1025 | 12.6                  | 3703                   | 3539 | 3379 | 3204 | 2839 | 2378 | -     | -     | SQB18RH1S ●   | SQB18RH3S ●      |
|              | 1           | 1.56       | 850  | 8.5                   | 3008                   | 2814 | 2599 | 2381 | 1657 | -    | -     | -     | SQB18SH1S ●   | SQB18SH3S ●      |
|              | 1           | 1.56       | 1150 | 15.9                  | 4196                   | 4045 | 3902 | 3758 | 3427 | 3115 | 2689  | -     | SQB18SH1S ●   | SQB18SH3S ●      |
|              | 1-1/2       | 1.56       | 975  | 11.3                  | 3505                   | 3335 | 3164 | 2970 | 2590 | -    | -     | -     | SQB18TH1S ●   | SQB18TH3S ●      |
|              | 1-1/2       | 1.55       | 1300 | 20.0                  | 4784                   | 4644 | 4516 | 4390 | 4128 | 3824 | 3553  | 3215  | SQB18TH1S ●   | SQB18TH3S ●      |
| 20           | 2           | 1.55       | 1100 | 14.6                  | 3999                   | 3844 | 3695 | 3541 | 3192 | 2851 | 2194  | -     | SQB18VH1S ●   | SQB18VH3S ●      |
|              | 2           | 2.03       | 1425 | 23.0                  | 5272                   | 5140 | 5020 | 4905 | 4673 | 4417 | 4143  | 3896  | SQB18VH1S ●   | SQB18VH3S ●      |
|              | 1/3         | 2.03       | 575  | -                     | 3301                   | 2933 | 2401 | -    | -    | -    | -     | -     | SQB20PH1S ●   | -                |
|              | 1/3         | 2.03       | 610  | 5.6                   | 3543                   | 3207 | 2727 | 2126 | -    | -    | -     | -     | SQB20PH1S ●   | -                |
|              | 1/2         | 2.03       | 575  | -                     | 3301                   | 2933 | 2401 | -    | -    | -    | -     | -     | SQB20QH1S ●   | SQB20QH3S ●      |
|              | 1/2         | 2.03       | 700  | 8.3                   | 4155                   | 3870 | 3559 | 3109 | -    | -    | -     | -     | SQB20QH1S ●   | SQB20QH3S ●      |
|              | 3/4         | 2.03       | 600  | 6.3                   | 3475                   | 3130 | 2637 | 1841 | -    | -    | -     | -     | SQB20RH1S ●   | SQB20RH3S ●      |
|              | 3/4         | 2.03       | 800  | 11.6                  | 4823                   | 4577 | 4324 | 4042 | 3268 | -    | -     | -     | SQB20RH1S ●   | SQB20RH3S ●      |
|              | 1           | 2.03       | 650  | 6.7                   | 3817                   | 3507 | 3130 | 2636 | -    | -    | -     | -     | SQB20SH1S ●   | SQB20SH3S ●      |
|              | 1           | 2.03       | 885  | 14.5                  | 5383                   | 5164 | 4938 | 4704 | 4087 | 3338 | -     | -     | SQB20SH1S ●   | SQB20SH3S ●      |
| 24           | 1-1/2       | 2.03       | 835  | 12.9                  | 5054                   | 4820 | 4579 | 4321 | 3601 | -    | -     | -     | SQB20TH1S ●   | SQB20TH3S ●      |
|              | 1-1/2       | 2.03       | 1010 | 19.0                  | 6200                   | 6011 | 5816 | 5617 | 5193 | 4597 | 3986  | -     | SQB20TH1S ●   | SQB20TH3S ●      |
|              | 2           | 2.03       | 860  | 13.7                  | 5219                   | 4993 | 4760 | 4514 | 3832 | 2957 | -     | -     | SQB20VH1S ●   | SQB20VH3S ●      |
|              | 2           | 2.08       | 1110 | 23.0                  | 6849                   | 6679 | 6503 | 6324 | 5957 | 5540 | 4945  | 4402  | SQB20VH1S ●   | SQB20VH3S ●      |
|              | 1/2         | 2.08       | 530  | 5.5                   | 4474                   | 3912 | 3418 | 2540 | -    | -    | -     | -     | SQB24QH1S ●   | SQB24QH3S ●      |
|              | 1/2         | 2.08       | 580  | 7.1                   | 4974                   | 4465 | 4018 | 3485 | -    | -    | -     | -     | SQB24QH1S ●   | SQB24QH3S ●      |
|              | 3/4         | 2.08       | 530  | 5.5                   | 4474                   | 3912 | 3418 | 2540 | -    | -    | -     | -     | SQB24RH1S ●   | SQB24RH3S ●      |
|              | 3/4         | 2.08       | 660  | 9.9                   | 5758                   | 5391 | 4912 | 4528 | 3405 | -    | -     | -     | SQB24RH1S ●   | SQB24RH3S ●      |
|              | 1           | 2.08       | 570  | 6.8                   | 4875                   | 4354 | 3903 | 3324 | -    | -    | -     | -     | SQB24SH1S ●   | SQB24SH3S ●      |
|              | 1           | 2.08       | 725  | 12.6                  | 6389                   | 6079 | 5637 | 5261 | 4491 | -    | -     | -     | SQB24SH1S ●   | SQB24SH3S ●      |
| 24           | 1-1/2       | 2.08       | 660  | 9.9                   | 5758                   | 5391 | 4912 | 4528 | 3405 | -    | -     | -     | SQB24TH1S ●   | SQB24TH3S ●      |
|              | 1-1/2       | 2.07       | 830  | 17.2                  | 7397                   | 7131 | 6842 | 6425 | 5794 | 5084 | -     | -     | SQB24TH1S ●   | SQB24TH3S ●      |
|              | 2           | 2.07       | 675  | 10.5                  | 5904                   | 5557 | 5077 | 4700 | 3689 | -    | -     | -     | SQB24VH1S ●   | SQB24VH3S ●      |
|              | 2           | 2.08       | 910  | 21.0                  | 8159                   | 7916 | 7669 | 7359 | 6688 | 6131 | 5398  | -     | SQB24VH1S ●   | SQB24VH3S ●      |
|              | 3           | 2.02       | 900  | 20.0                  | 8064                   | 7819 | 7567 | 7245 | 6577 | 6012 | 5236  | -     | -   | SQB24WH3S ●      |
|              | 3           | 3.08       | 1035 | 26.0                  | 9342                   | 9129 | 8916 | 8695 | 8086 | 7554 | 7060  | 6491  | -   | SQB24WH3S ●      |

Performance certified is for installation Type B-free inlet, ducted outlet.

Power ratings (BHP) do not include transmission losses.

Performance ratings do not include the effects of appurtenances (accessories).

The sound ratings shown are loudness values in fan sones at 5 feet (1.5m) in a hemispherical free field calculated per AMCA Standard 301.

Installation Type A: free inlet hemispherical sone levels.