

Operator's Manual

- Operation
- Maintenance
- Repair Parts

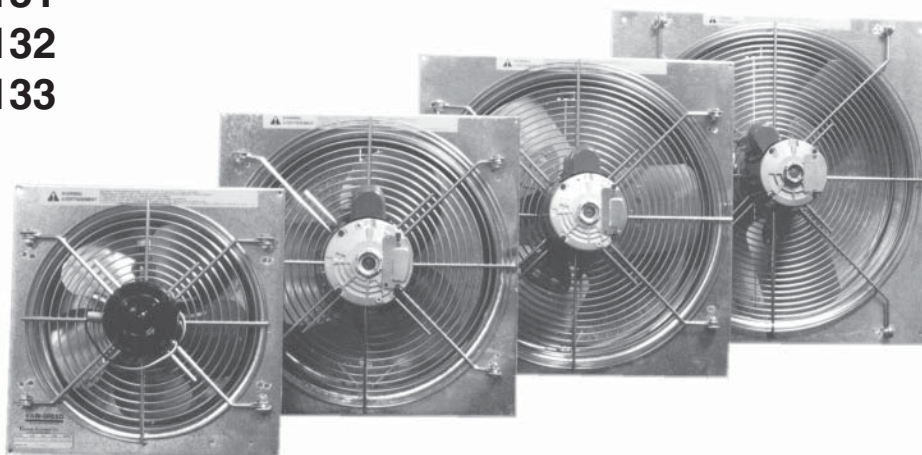
Models . . .

12" VFT141130

16" VFT141131

20" VFT141132

24" VFT141133



for SINGLE SPEED ELECTRIC MOTOR EXHAUST FAN

Please record the model and serial number and the date the unit was purchased in the spaces below. The model and serial numbers are located in the lower left corner.

Retain this manual with these numbers for future reference.

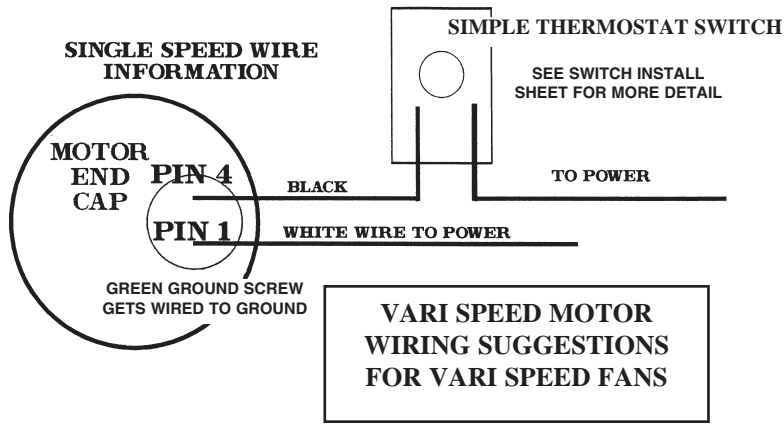
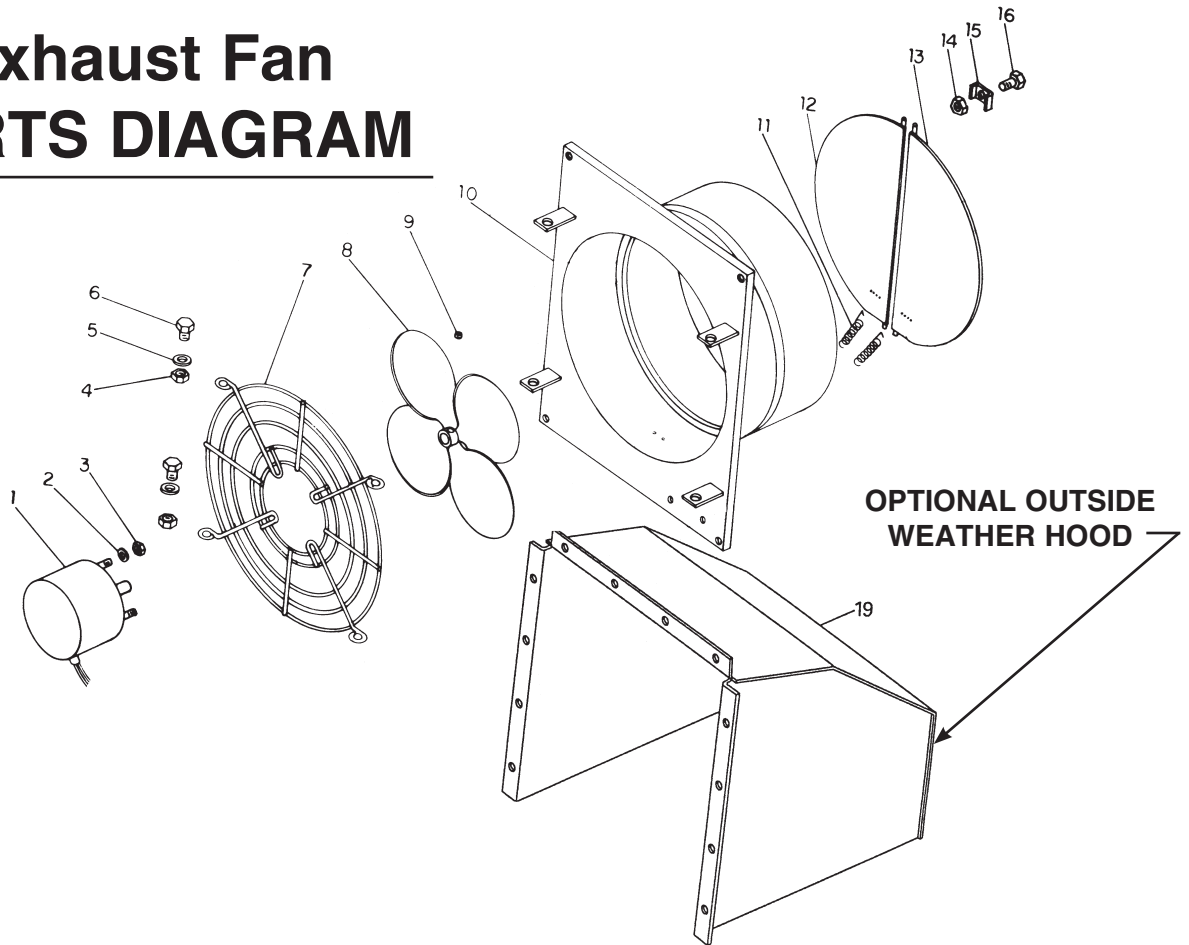
Model No. _____

Serial No. _____

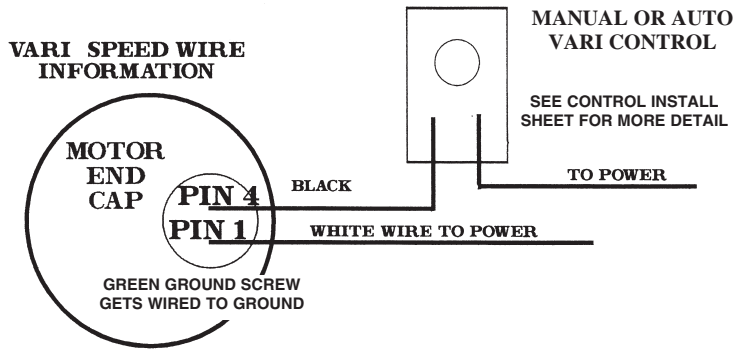
CAUTION:

Read rules for safe operation carefully.

Exhaust Fan PARTS DIAGRAM



Exhaust Fan WIRING DIAGRAM



MAINTENANCE

• • CAUTION • •

Turn off all power to fan before cleaning this unit. Thermostat may engage motor automatically!

PARTS LIST

Part#	Ref.#	Description	Qty
VR110EB	1	12" Fan Motor	1
VR13		16" Fan Motor	1
VR13		20" Fan Motor	1
VFT130128		24" Fan Motor	1
VFT126010	2	3/16" ID. x 3/4" OD. washer	4
VFT125266	3	8-32 Nut	4
VFT125406	4	5/16"-18 zinc plated lock nut	4
VFT125401	5	5/16" Flat zinc plated washer	4
VFT125409	6	5/16"-18 x 3/4" Zinc plated bolt	4
VFT130130	7	12" Fan Guard	1
VFT130131		16" Fan Guard	1
VFT130132		20" Fan Guard	1
VFT130133		24" Fan Guard	1
VFT130135	8	12" Fan Blade (5 blade)	1
VFT130136		16" Fan Blade (3 blade)	1
VFT130137		20" Fan Blade (3 blade)	1
VFT130138		24" Fan Blade (3 blade)	1
VFT125424	9	5/16"-24 x 3/8" set screw for 16" 20" and 24" fan blade	1
VFT126011		1/4"-28 x 1/4" set screw for 12" fan blade	1
VFT140860	10	12" Fan body assembly	1
VFT140861		16" Fan body assembly	1
VFT140862		20" Fan body assembly	1
VFT140863		24" Fan body assembly	1
VFT126012	11	Spring fits 12" & 16" Fan	2
VFT126015		Spring fits 20" & 24" Fan	
VFT140865	12	12" Fan, right hand louver assy	1
VFT140866		16" Fan, right hand louver assy	1
VFT140867		20" Fan, right hand louver assy	1
VFT140868		24" Fan, right hand louver assy	1
VFT140870	13	12" Fan, left hand louver assy	1
VFT140871		16" Fan, left hand louver assy	1
VFT140872		20" Fan, left hand louver assy	1
VFT140873		24" Fan, left hand louver assy	1
VFT125406	14	5/16"-18 Hex lock nut	1
VFT105165	15	3/4" x 1 5/8" louver retaining clip	1
VFT125409	16	5/16"-18 x 3/4" Bolt	1
VFT126016	21	No. 10-32 x 1/2" machine screw	2
OPTIONAL ITEMS			
VFT140855 #19		12" Fan hood assy, complete	1
VFT140856 #19		16" Fan hood assy, complete	1
VFT140857 #19		20" Fan hood assy, complete	1
VFT140858 #19		24" Fan hood assy, complete	1
VC15		Thermostat, Single Speed, 115/230v, 10 Amp, 60Hz1	1
VFT130144		Manual Vari-Speed Control	1

A convenient hinged grill allows easy blade cleaning and maintenance by simply removing two bolts. For best performance, fan blades, motor and louvers should be kept free of dirt.

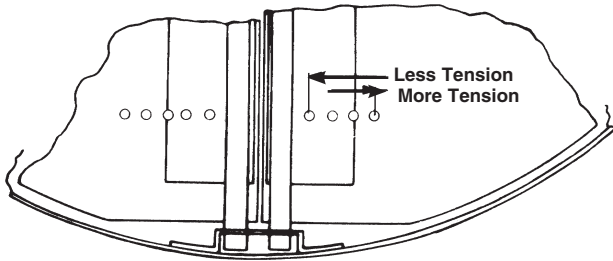
- CLEANING- WARNING:** 1/2" dust on motor raises motor temperature 40 degrees F° and reduces motor life drastically. **WARNING:** Dirty fan blades cause vibration and wobble which will shorten bearing life. Lubricate pin hinge on bottom of louver with graphite only **DO NOT USE OIL**. Oil will cause hinge to collect dirt and restrict movement. Grill should be cleaned frequently to prevent restricted air flow.
- THERMOSTAT CONTROL** - The temperature control electrically and thermostatically operates the fan in any selected temperature range from 30 degrees to 90 degrees F°, with 2 to 4 degrees differential performance. See wiring diagram in this manual for installation instructions. Location of thermostat should be at eye level or above and be positioned in an area that represents average building temperature. Do not place thermostat directly adjacent to intakes, fans, lights and/or other heat producing sources. When using vari-speed auto fan control, follow mounting and wiring instructions that are enclosed with control.
- AIR INTAKES** - An air intake is an opening in a building that allows air to enter the building area to compensate for the air that the fan exhausts. An exhaust fan, used for livestock housing purposes, removes the humid air thereby permitting fresh, dry air to enter the building. Air intakes should be adequate enough to allow approximately as much air to enter the area as the fan exhausts. (See CFM rating on fan.)
- LOCATION OF FANS** - Fans should be located in the sidewall of the building away from the prevailing winds. Fans should be placed evenly throughout the building so that even air flow is established. Fans cannot effectively "draw" or move air in excess of 60 to 65 feet.
- BLADE REMOVAL** - Loosen set screws that hold blade to motor shaft. Place a few drops of oil on fan hub and shaft. Hold motor shaft with vice grip pliers. While holding motor shaft, spin blade a few times, continue to spin (unscrew) blade from shaft while pulling up. This should remove blade from shaft. Any problems...call us.
- 12" FAN MOTOR** - It is recommended these motors should be oiled twice a year.

MOTOR OVERLOAD PROTECTION

This unit is equipped with an overload protection. If the motor overheats and stops, the unit will start automatically when the motor cools.

LOUVER ADJUSTMENT

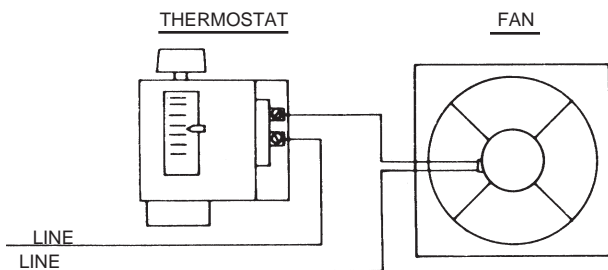
After sustained use, louver springs may lose tension. Adjustment may be made by placing spring end in different holes in bottom of louver. See diagram.



AMPERAGE TABLE	
Fan Size	Amps
12"	1.6
16"	2.3
20"	2.3
24"	6.0

WARNING! DO NOT PLACE ALL FANS ON SAME CIRCUIT!

See wiring diagram below



LIMITED WARRANTY

The J&D Manufacturing, Inc. Ventilation Fan Warranty is covered in two sections.

Section 1: J&D Manufacturing, Inc. warrants the fan body and its parts to be free of defects in material and workmanship for the period of 90 days from the date of installation.

Section 2: J&D Manufacturing, Inc. warrants the fan motor to be free of defects in material and workmanship for the period of one year from the date of installation.

This warrant does not extend to any fan which has been installed improperly or wired for operation incorrectly. This warranty does not extend to such fans or fan parts which have been repaired or altered outside of our factory. J&D's obligation under this warranty is limited for replacement or repair of any parts thereof, which within the warranty period shall be returned to our factory, transportation charges prepaid.

To Obtain Parts and Service

Parts and service are available from your local dealer.

For a dealer in your area:

Call 1-800-998-2398 or 715-834-1439

J&D
Manufacturing

1-800-998-2398, 6200 Highway 12 Eau Claire, WI 54701, 715-834-1439, Fax 715-834-3812
website: <http://www.jdmfg.com/> • e-mail: jdmfg@jdmfg.com