

VC115

Single Stage Moisture Proof Thermostat



NOTE: Read ALL instructions over carefully before attempting to install the VC115.

If you have any questions please call your local dealer or
J&D Manufacturing at: 1-800-998-2398.
 Or visit our website at: www.jdmfg.com

WARRANTY

J&D Mfg. warrants all products are free from defects in materials and workmanship under normal use for the period of one year from date of purchase and our warranty does not cover normal or regular wear and tear. J&D Mfg can repair or replace at our option, any product or part of the product that is found to be defective. Our warranty applies to materials only and does not include return freight, delivery, loss or damage to personal property, cost of removal or installation, any incidental or consequential damages or labor. This warranty does not apply to products which are misused, abused, altered, improperly installed or subject to negligence. All warranties must be approved through our warranty department. The original purchaser must present a copy of the invoice for the defective product. One year is our standard warranty unless specified on our literature or in the installation instructions/user manuals.

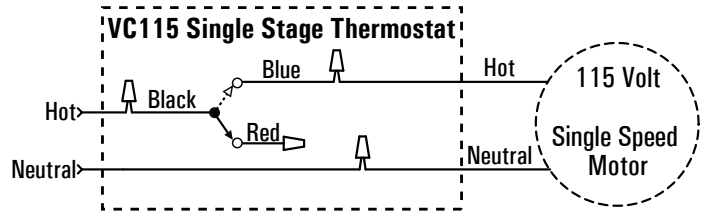
ALL ELECTRICAL WORK SHOULD BE COMPLETED BY QUALIFIED PERSONNEL AND MEET NATIONAL, REGIONAL AND LOCAL CODES

Connecting power to the unit.

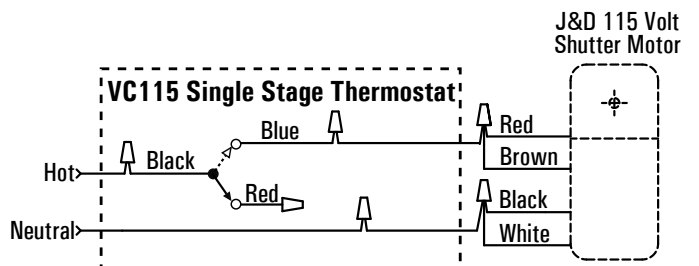
- Wiring diagram depicts control circuits only.
- All electrical components must be grounded.
- Use optional auxiliary contactor to switch loads in excess of thermostat rating.

115 Volt Wiring Instructions

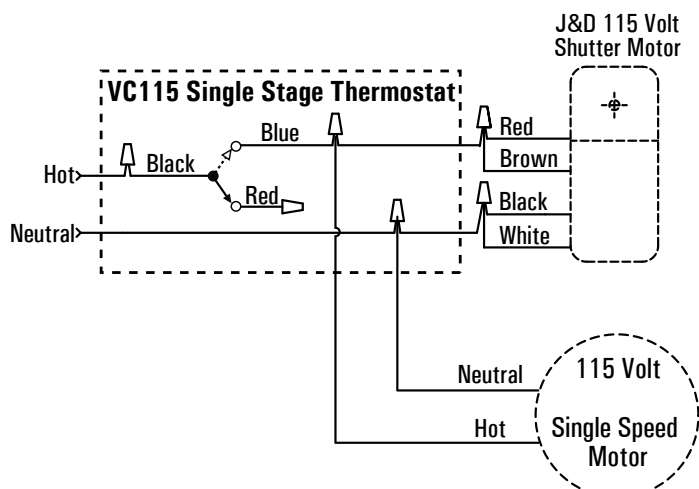
Connecting thermostat to
 • fan motor (single speed)



Connecting thermostat to
 • shutter motor



Connecting thermostat to
 • shutter motor
 • fan motor (single speed)



VC115

Single Stage Moisture Proof Thermostat



NOTE: Read ALL instructions over carefully before attempting to install the VC115.

If you have any questions please call your local dealer or
J&D Manufacturing at: 1-800-998-2398.
 Or visit our website at: www.jdmfg.com

WARRANTY

J&D Mfg. warrants all products are free from defects in materials and workmanship under normal use for the period of one year from date of purchase and our warranty does not cover normal or regular wear and tear. J&D Mfg can repair or replace at our option, any product or part of the product that is found to be defective. Our warranty applies to materials only and does not include return freight, delivery, loss or damage to personal property, cost of removal or installation, any incidental or consequential damages or labor. This warranty does not apply to products which are misused, abused, altered, improperly installed or subject to negligence. All warranties must be approved through our warranty department. The original purchaser must present a copy of the invoice for the defective product. One year is our standard warranty unless specified on our literature or in the installation instructions/user manuals.

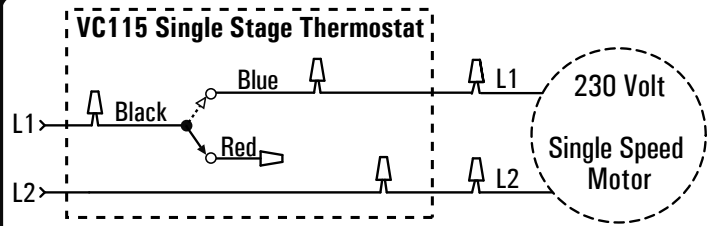
ALL ELECTRICAL WORK SHOULD BE COMPLETED BY QUALIFIED PERSONNEL AND MEET NATIONAL, REGIONAL AND LOCAL CODES

Connecting power to the unit.

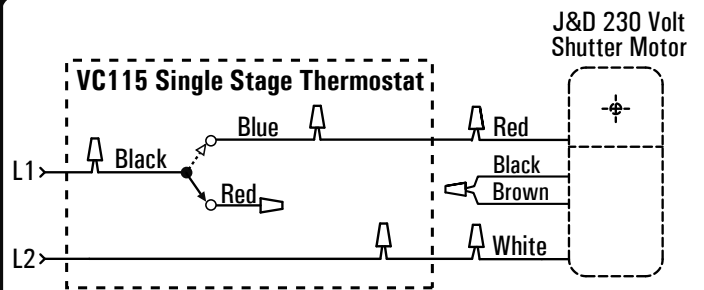
- Wiring diagram depicts control circuits only.
- All electrical components must be grounded.
- Use optional auxiliary contactor to switch loads in excess of thermostat rating.
- **CAUTION!** Once it is wired, L2 continues to supply voltage to unit regardless of thermostat setting.

230 Volt Wiring Instructions

Connecting thermostat to • fan motor (single speed)



Connecting thermostat to • shutter motor



Connecting thermostat to • shutter motor • fan motor (single speed)

