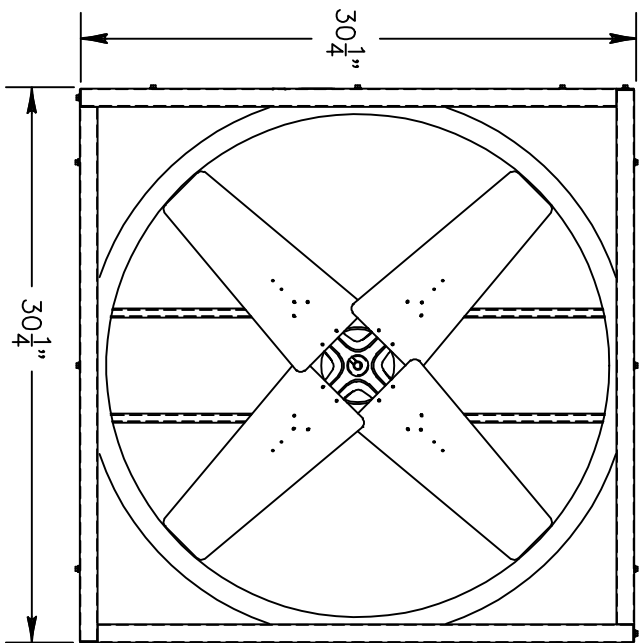
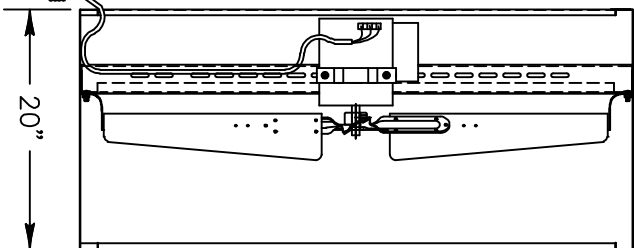


8 FOOT OF CORD
OUTSIDE THE BOX.



TRIANGLE ENGINEERING
CERTIFIED DRAWING

BY: _____
FOR: _____
DATE: _____
VID2413 INDUSTRIAL EXHAUST FAN
1/2 HP 115 V. SINGLE PHASE
BLADE DIA 24"



TRIANGLE ENGINEERING
OF ARKANSAS, INC.

VID2413-115
INDUSTRIAL EXHAUST FAN
L-VID2413-115
REV

DR. BY: TOM KING
SHEET 1 OF 1

CKD. APP.
NOT TO SCALE 4 MAR 2009