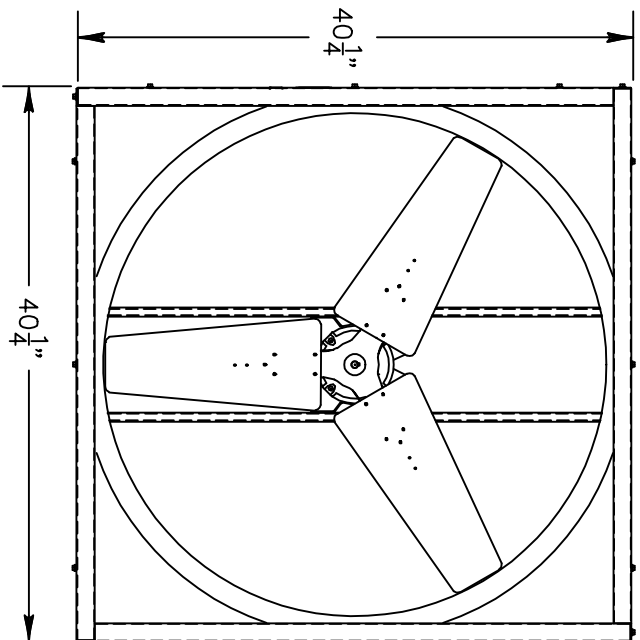
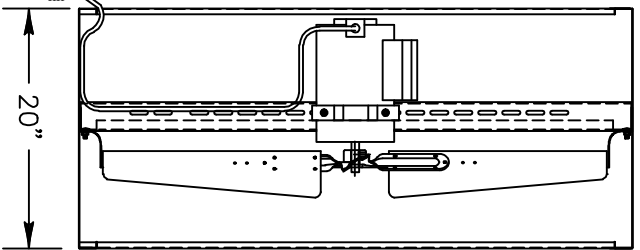


8 FOOT OF CORD  
OUTSIDE THE BOX.



TRIANGLE ENGINEERING  
CERTIFIED DRAWING

BY: \_\_\_\_\_  
 FOR: \_\_\_\_\_  
 DATE: \_\_\_\_\_  
 VID3615 INDUSTRIAL EXHAUST FAN  
 1 HP 115 V. SINGLE PHASE  
 BLADE DIA 36"



TRIANGLE ENGINEERING  
OF ARKANSAS, INC.

VID3615-115  
INDUSTRIAL EXHAUST FAN

DR. BY: TOM KING

CKD.

APP.

REV

SHEET 1 OF 1

NOT TO SCALE 4 MAR 2009