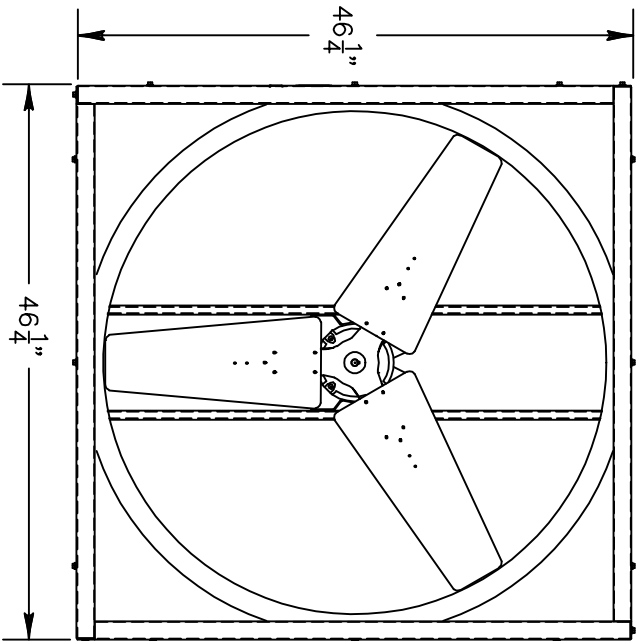


8 FOOT OF CORD
OUTSIDE THE BOX.



TRIANGLE ENGINEERING
CERTIFIED DRAWING

BY: _____
 FOR: _____
 DATE: _____
 VID4215 INDUSTRIAL EXHAUST FAN
 1 HP 115 V. SINGLE PHASE
 BLADE DIA 42"



TRIANGLE ENGINEERING
OF ARKANSAS, INC.

VID4215-115
INDUSTRIAL EXHAUST FAN

REV

DR. BY: TOM KING
SHEET 1 OF 1

CKD. APP.
NOT TO SCALE 4 MAR 2009