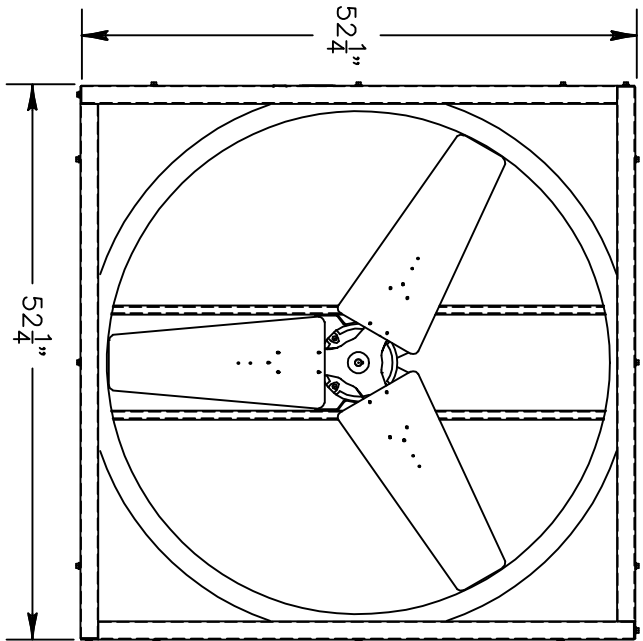


8 FOOT OF CORD
OUTSIDE THE BOX.



TRIANGLE ENGINEERING
CERTIFIED DRAWING

BY:
FOR:
DATE:
VID4815 INDUSTRIAL EXHAUST FAN
1 HP 115 V. SINGLE PHASE
BLADE DIA 48"



TRIANGLE ENGINEERING
OF ARKANSAS, INC.

L-VID4815-115

REV

VID4815-115
INDUSTRIAL EXHAUST FAN

DR. BY: TOM KING
SHEET 1 OF 1

CKD.
NOT TO SCALE
APP.
4 MAR 2009